

# PARTS LIST

[ UX-P58V ]

\* All printed circuit boards and its assemblies are not available as service parts.

## Area suffix

|    |       |           |
|----|-------|-----------|
| US | ----- | Singapore |
| UB | ----- | Hong Kong |
| UN | ----- | Asean     |

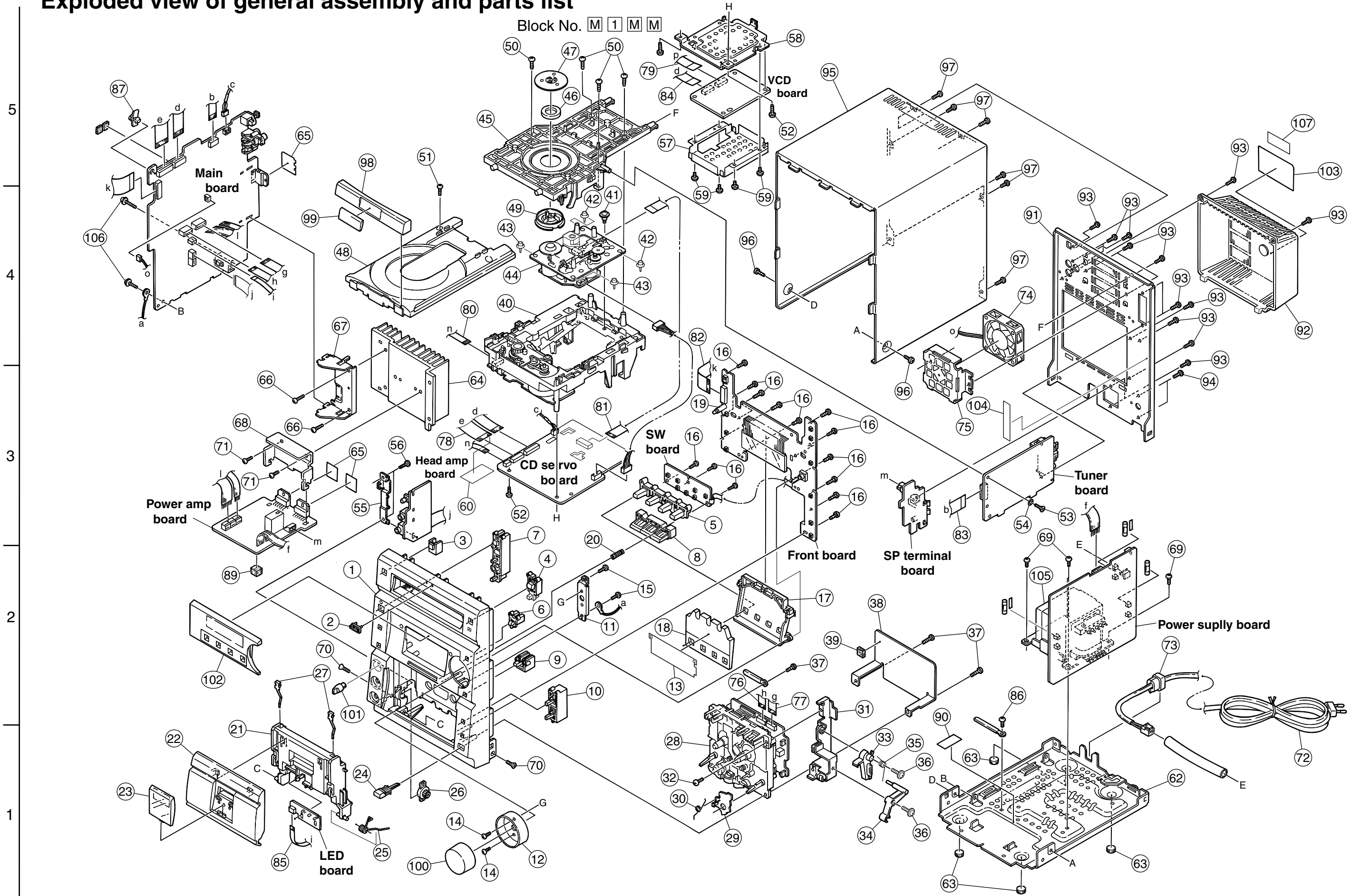
## - Contents -

|  |      |
|--|------|
| Exploded view of general assembly and parts list (Block No.M1) ..... | 3-3  |
| CD loading base assembly and parts list (Block No.MD) .....          | 3-6  |
| Cassette mechanism assembly and parts list (Block No.MP) .....       | 3-8  |
| Electrical parts list (Block No.01~07) .....                         | 3-10 |
| Packing materials and accessories parts list (Block No.M3,M5) .....  | 3-22 |

< MEMO >

# Exploded view of general assembly and parts list

Block No. M 1 M M



■ Parts list (General assembly)

Block No. M1MM

| △ | Item | Parts number  | Parts name      | Q'ty | Description     | Area |
|---|------|---------------|-----------------|------|-----------------|------|
|   | 1    | GV10064-010A  | FRONT PANEL     | 1    |                 |      |
|   | 2    | GV40077-002A  | JVC BADGE       | 1    |                 |      |
|   | 3    | GV40147-001A  | REMOTE LENS     | 1    |                 |      |
|   | 4    | GV40233-001A  | CD BUTTON       | 1    |                 |      |
|   | 5    | GV30158-001A  | FUNCTION BTN    | 1    |                 |      |
|   | 6    | GV40153-002A  | SOUND BUTTON    | 1    |                 |      |
|   | 7    | GV30156-002A  | BUTTON B        | 1    |                 |      |
|   | 8    | GV30159-003A  | CONTROL BTN.    | 1    |                 |      |
|   | 9    | GV40149-002A  | BUTTON A        | 1    |                 |      |
|   | 10   | GV40151-002A  | CASS.BUTTON     | 1    |                 |      |
|   | 11   | GV40158-001A  | ORNAMENT BKT    | 1    |                 |      |
|   | 12   | GV40156-002A  | VOL.ORNAMENT A  | 1    |                 |      |
|   | 13   | GV40179-001A  | LCD SHEET       | 1    |                 |      |
|   | 14   | QYSBSG3006Z   | T.SCREW         | 2    | VOL.ORN/ORN.BKT |      |
|   | 15   | QYSBSF3008Z   | SCREW           | 2    | ORN.BKT/F.PANEL |      |
|   | 16   | QYSBSF3008Z   | SCREW           | 14   | PWB BRD/F.PANEL |      |
|   | 17   | GV30162-001A  | LCD HOLDER      | 1    |                 |      |
|   | 18   | GV40173-002A  | LCD LENS        | 1    |                 |      |
|   | 19   | GV40194-001A  | LED HOLDER      | 1    |                 |      |
|   | 20   | GV40212-001A  | SPRING          | 1    | INSIDE F.PANEL  |      |
|   | 21   | GV20109-001A  | CASS.HOLDER     | 1    |                 |      |
|   | 22   | GV20110-002A  | DOOR COVER      | 1    |                 |      |
|   | 23   | GV40160-002A  | DOOR LENS       | 1    |                 |      |
|   | 24   | GV30178-005A  | EJECT BUTTON    | 1    |                 |      |
|   | 25   | GV40262-001A  | DDOR SPRING     | 1    |                 |      |
|   | 26   | GV40034-001A  | DAMPER ASSY     | 1    |                 |      |
|   | 27   | VKY4180-401   | CASSETTE SPRING | 2    |                 |      |
|   | 28   | -----         | CASSETTE MECHA  | 1    |                 |      |
|   | 29   | VKL7850-002   | EJECT SAFETY(R) | 1    | FOR EJECT SAFET |      |
|   | 30   | VKW5258-003   | TORSION SPRING  | 1    |                 |      |
|   | 31   | GV30224-001A  | MECHA BRACKET   | 1    |                 |      |
|   | 32   | QYSBSG3008Z   | T.SCREW         | 1    | M.BKT./SLC MECH |      |
|   | 33   | GV40238-001A  | EJECT ARM A     | 1    |                 |      |
|   | 34   | GV40239-001A  | EJECT ARM B     | 1    |                 |      |
|   | 35   | GV40254-002A  | EJECT SPRING    | 1    | MECHA BKT./E AR |      |
|   | 36   | VKZ4341-204   | SPECIAL SCREW   | 2    | EJECT ARM/MECHA |      |
|   | 37   | QYSBSF3012Z   | SCREW           | 4    | SLC./F.PANEL    |      |
|   | 38   | GV30124-002A  | TRANS SHIELD    | 1    |                 |      |
|   | 39   | GV40170-003A  | SPACER          | 1    | SLC(MOTOR)/T.SH |      |
|   | 40   | -----         | LOADING BASE    | 1    |                 |      |
|   | 41   | E406293-001   | SPECIAL SCREW   | 1    | CD MECHA/LOAD.B |      |
|   | 42   | GV40196-001A  | INSULATOR       | 2    |                 |      |
|   | 43   | GV40196-002A  | INSULATOR       | 2    |                 |      |
|   | 44   | KSM-213CCMJ   | CD MECHA ASSY.  | 1    |                 |      |
|   | 45   | GV10066-001A  | CLAMPER BASE    | 1    |                 |      |
|   | 46   | VYH7313-005   | MAGNET          | 1    |                 |      |
|   | 47   | E306836-223SS | CD YOKE         | 1    |                 |      |
|   | 48   | VYH1240-001   | TRAY            | 1    |                 |      |

■ Parts list (General assembly)

Block No. M1MM

| △ | Item | Parts number    | Parts name      | Q'ty | Description     | Area  |
|---|------|-----------------|-----------------|------|-----------------|-------|
|   | 49   | GV30202-001A    | CD CLAMPER      | 1    |                 |       |
|   | 50   | QYSBSF3008Z     | SCREW           | 4    | CLAMP.BASE/LOAD |       |
|   | 51   | QYSBSF3008Z     | SCREW           | 1    | CD TRAY STOPPER |       |
|   | 52   | QYSBSF3008Z     | SCREW           | 2    | CD BRD./LOAD.AS |       |
|   | 53   | QYSSSF3008Z     | SCREW           | 1    | TUNER/C.BASE AS |       |
|   | 54   | GV40122-003A    | SPACER          | 1    |                 |       |
|   | 55   | GV40231-001A    | JACK BRACKET    | 1    |                 |       |
|   | 56   | QYSBSF3010Z     | SCREW           | 2    | BRACKET/F.PANEL |       |
|   | 57   | GV30220-001A    | SHIELD CASE     | 1    |                 |       |
|   | 58   | GV30221-001A    | SHIELD CASE(UPP | 1    | (UPPER)         |       |
|   | 59   | QYSBST3004Z     | T.SCREW         | 4    | S.CASE(UP&LOWER |       |
|   | 60   | GV40242-005A    | SPACER          | 1    |                 |       |
|   | 62   | GV10065-001A    | BOTTOM CHASSIS  | 1    |                 |       |
|   | 63   | GV40184-001A    | FOOT SPACER     | 4    | CHAS.BASE FOOT  |       |
|   | 64   | GV30194-002A    | HEAT SINK C     | 1    |                 |       |
|   | 65   | GV40206-001A    | MICA SHEET(A)   | 3    |                 |       |
|   | 66   | QYSBSF3012Z     | SCREW           | 2    | IC BKT/H.SINK   |       |
|   | 67   | GV30168-003A    | IC BRACKET      | 1    |                 |       |
|   | 68   | GV30193-002A    | IC HOLDER       | 1    | SUBWOOFER(FMH)  |       |
|   | 69   | QYSBST4006Z     | T.SCREW         | 4    | TRANS/CHA.BASE  |       |
|   | 70   | QYSSST3008Z     | SCREW           | 2    | F.PANEL/C.BASE  |       |
|   | 71   | QYSBSF3012Z     | SCREW           | 2    | IC HLD./H.SINK  |       |
| △ | 72   | QMPK210-205-JN  | POWER COARD     | 1    |                 | UN,US |
| △ |      | QMPN160-200-JD  | POWER COARD     | 1    |                 | UB    |
| △ | 73   | QZW0033-001     | STRAIN RELIEF   | 1    |                 |       |
|   | 74   | QAR0170-001     | FAN MOTOR       | 1    |                 |       |
|   | 75   | GV30169-002A    | FAN BRACKET     | 1    |                 |       |
|   | 76   | QUQD12-0914AJ   | CARD WIRE       | 1    | SLC TO FMC      |       |
|   | 77   | QUQD12-1018AJ   | CARD WIRE       | 1    | SLC TO FMC      |       |
|   | 78   | QUQE10-1913BJ   | CARD WIRE       | 1    | CD TO FMC       |       |
|   | 79   | FQUQ10-1507AJ   | CARD WIRE       | 1    | CD TO MPEG      |       |
|   | 80   | QUQD12-0507BJ   | CARD WIRE       | 1    | CD MTR TO BRD   |       |
|   | 81   | QUQ110-1609AJ   | FFC WIRE        | 1    | CD BRD TO PICKU |       |
|   | 82   | QUQD12-1710BJ   | CARD WIRE       | 1    | FRONT TO FMC    |       |
|   | 83   | QUQD12-0932BJ   | CARD WIRE       | 1    |                 |       |
|   | 84   | WJU0008-001A    | CARD WIRE       | 1    | MPEG TO FMC     |       |
|   | 85   | QUQD12-0426AJ   | CARD WIRE       | 1    |                 |       |
|   | 86   | QYSBSG3008Z     | T.SCREW         | 1    | W.HOLDER/BTTM.C |       |
|   | 87   | GV40223-001A    | PUSH SPACER     | 1    | MAIN BRD./M.COV |       |
|   | 89   | GV40170-004A    | SPACER          | 1    | SUB.BRD/TRANSFO |       |
|   | 90   | VYSA1R4-100     | SPACER          | 1    |                 |       |
|   | 91   | GV10067-010A    | REAR PANEL      | 1    |                 |       |
|   | 92   | GV10068-002A    | REAR COVER      | 1    |                 |       |
|   | 93   | QYSBSGY3008E    | SPECIAL SCREW   | 16   | R.PANEL         |       |
|   | 94   | QYSBSF3012E     | SPECIAL SCREW   | 2    | VOL.SEL/R.PANEL |       |
|   | 95   | GV10069-003A/S/ | METAL COVER     | 1    |                 |       |
|   | 96   | QYSDSG3006N     | T.SCREW         | 2    | M.COVER/C.BASE  |       |
|   | 97   | QYSBSGY3008E    | SPECIAL SCREW   | 6    | M.COVER/R.PANEL |       |

**■ Parts list (General assembly)**

Block No. M1MM

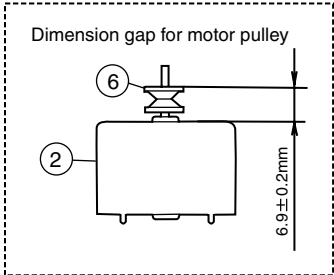
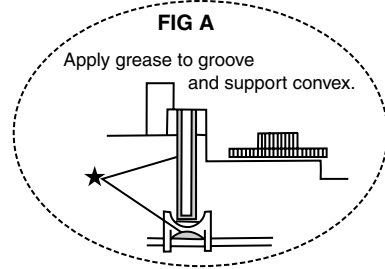
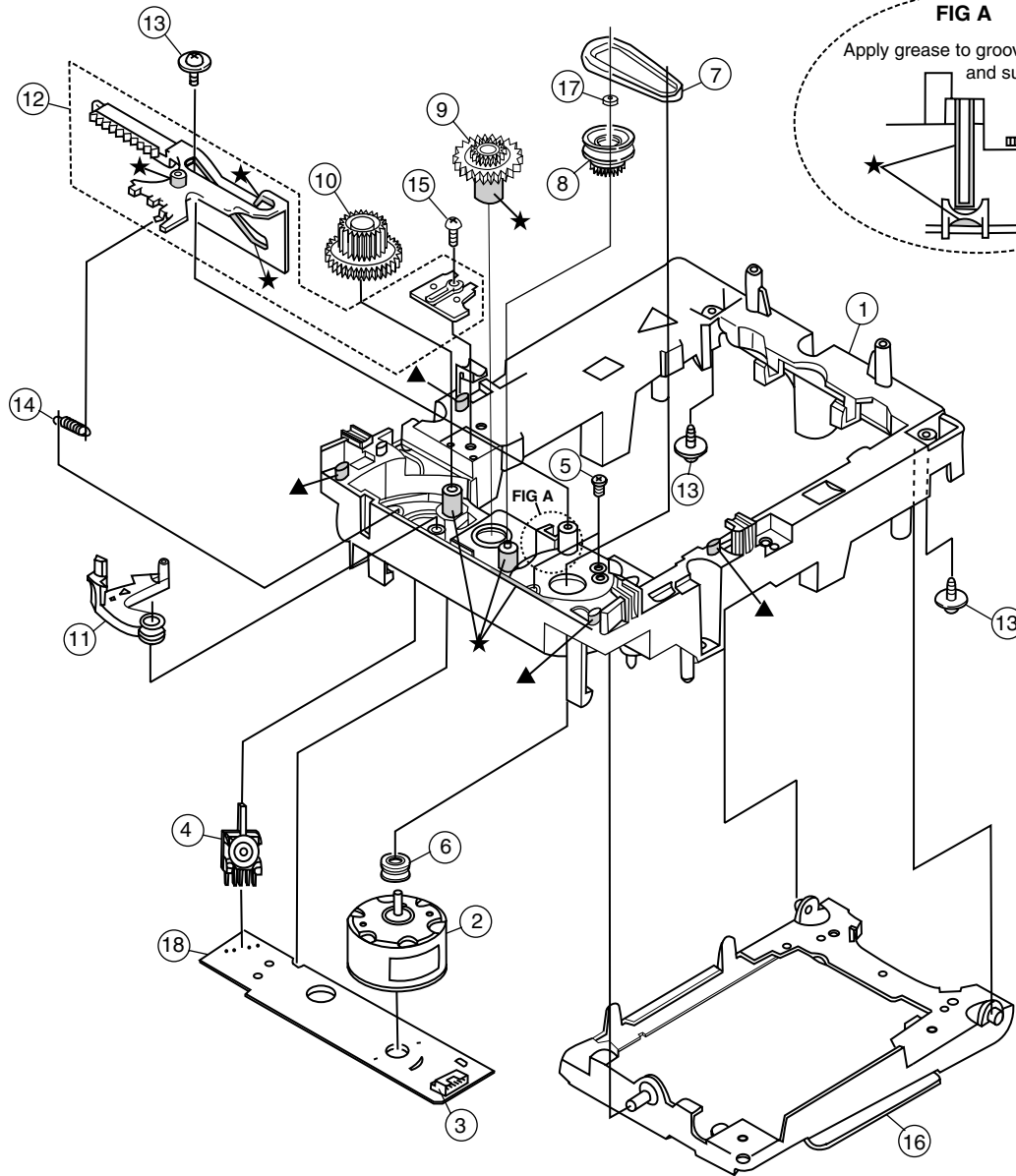
| △ | Item | Parts number | Parts name     | Q'ty | Description     | Area  |
|---|------|--------------|----------------|------|-----------------|-------|
|   | 98   | GV30165-002A | TRAY FITTING B | 1    |                 |       |
|   | 99   | GV40166-002A | FITTING LENS   | 1    |                 |       |
|   | 100  | GV40154-002A | VOL.KNOB A     | 1    |                 |       |
|   | 101  | GV40017-002A | MIC VOL KNOB   | 1    |                 |       |
|   | 102  | GV30160-006A | FRONT LENS A   | 1    |                 |       |
|   | 103  | GV30172-029A | RATING LABEL   | 1    |                 | UB,US |
|   |      | GV30172-030A | RATING LABEL   | 1    |                 | UN    |
|   | 104  | LV41843-001A | LASER CAUTION  | 1    |                 |       |
| △ | 105  | QQT0351-003  | POWER TRANSF.  | 1    |                 |       |
|   | 106  | QYSBSFG3016Z | SCREW          | 2    | PWB BRD/CHA.BAS |       |
|   | 107  | GV40255-001A | SIRIM LABEL    | 1    |                 | UN    |

# CD loading base assembly and parts list

Block No. M D M M

LOAD-JEM-2M

**Grease**  
 ★ = G-474C  
 ▲ = EBS0006-009B



## ■ Parts list (CD loading base)

Block No. MDMM

| △ | Item | Parts number  | Parts name    | Q'ty | Description | Area |
|---|------|---------------|---------------|------|-------------|------|
|   | 1    | VYH1238-001   | LOADING BASE  | 1    |             |      |
|   | 2    | MMN-6F1LB8K   | MOTOR         | 1    |             |      |
|   | 3    | QGF1201F3-05  | CONNECTOR     | 1    | CN505       |      |
|   | 4    | QSW0472-001   | SWITCH        | 1    | S851        |      |
|   | 5    | QYSPSPT2640Z  | MINI SCREW    | 2    |             |      |
|   | 6    | E75984-221SS  | C.D M.PULLEY  | 1    |             |      |
|   | 7    | E75950-002    | BELT          | 1    |             |      |
|   | 8    | E75985-221SS  | C.D GEAR (1)  | 1    |             |      |
|   | 9    | E75986-221SS  | C.D GEAR (2)  | 1    | PBT         |      |
|   | 10   | E75987-221SS  | C.D GEAR (3)  | 1    |             |      |
|   | 11   | E307162-331SS | LEVER         | 1    |             |      |
|   | 12   | E307252-331SS | CAM PLATE     | 1    |             |      |
|   | 13   | E65923-003    | TAPPING SCREW | 1    |             |      |
|   | 14   | VYH7787-001   | LEAF SPRING   | 1    |             |      |
|   | 15   | QYSBSF3008Z   | TAPPING SCREW | 1    |             |      |
|   | 16   | E307179-222SM | E.BASE ASS'Y  | 1    |             |      |
|   | 17   | E60912-005SS  | SPEED NUT     | 1    |             |      |
|   | 18   | VMW1329-102   | PRINTED BOARD | 1    |             |      |

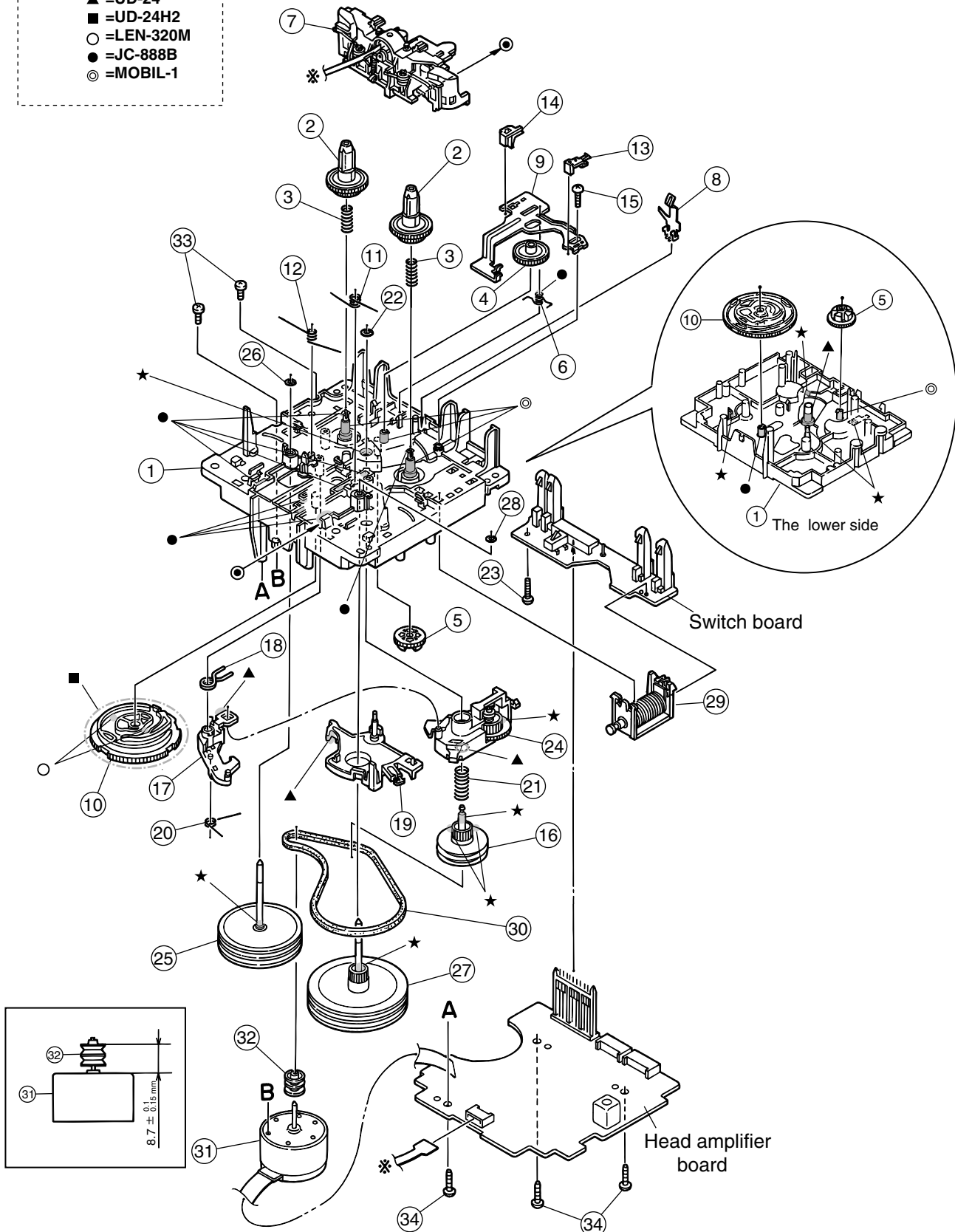
# Cassette mechanism assembly and parts list

SLC-S21M

Block No. M P M M

**Grease**

- ★ =EM-30L
- ▲ =UD-24
- =UD-24H2
- =LEN-320M
- =JC-888B
- ◎ =MOBIL-1





**Parts list (Cassette mechanism)**

Block No. MPMM

| △ | Item | Parts number  | Parts name      | Q'ty | Description | Area |
|---|------|---------------|-----------------|------|-------------|------|
|   | 1    | VKS1165-00J   | CHASSIS B.ASS'Y | 1    |             |      |
|   | 2    | VKS2274-002   | REEL GEAR       | 2    |             |      |
|   | 3    | VKW5286-002   | B.T. SPRING     | 2    |             |      |
|   | 4    | VKS5559-001   | PLAY IDLE GEAR  | 1    |             |      |
|   | 5    | VKS5597-00B   | BLIND           | 1    |             |      |
|   | 6    | VKW5296-001   | EARTH SPRING    | 1    |             |      |
|   | 7    | SLC-RP1SVM    | HEAD MOUNT ASSY | 1    |             |      |
|   | 8    | VKY3149-002   | CASSETTE SP.    | 1    |             |      |
|   | 9    | LV31786-001A  | PLAY SW LEVER   | 1    |             |      |
|   | 10   | VKS1166-003   | CONTROL CAM     | 1    |             |      |
|   | 11   | VKW5279-001   | HEAD BASE SP(R) | 1    |             |      |
|   | 12   | VKW5280-001   | HEAD BASE SP(L) | 1    |             |      |
|   | 13   | LV41584-001A  | BRAKE(R)        | 1    |             |      |
|   | 14   | LV41585-002A  | BRAKE(L)        | 1    |             |      |
|   | 15   | QYSBSF2005Z   | T.SCREW         | 1    |             |      |
|   | 16   | VKS5603-00G   | MAIN PULLEY ASY | 1    |             |      |
|   | 17   | VKS3785-001MM | FR ARM          | 1    |             |      |
|   | 18   | VKW5284-002   | SWING SPRING    | 1    |             |      |
|   | 19   | VKS2278-003   | TRIGGER ARM     | 1    |             |      |
|   | 20   | VKW5301-001   | FR SPRING       | 1    |             |      |
|   | 21   | VKW5266-001   | ELEVATOR SPRING | 1    |             |      |
|   | 22   | WDL214025     | WASHER          | 1    |             |      |
|   | 23   | QYSBSF2005Z   | T.SCREW         | 1    |             |      |
|   | 24   | VKS3786-00G   | CLUTCH ASS'Y    | 1    |             |      |
|   | 25   | VKF3205-00B   | F.WHEEL ASSY(R) | 1    |             |      |
|   | 26   | WDL183425     | SLIT WASHER     | 1    |             |      |
|   | 27   | VKF3207-00B   | F.WHEEL ASSY(L) | 1    |             |      |
|   | 28   | WDL173525-6   | SLIT WASHER     | 1    |             |      |
|   | 29   | VKZ3174-00A   | DC SOLENOID     | 1    |             |      |
|   | 30   | LV42234-001A  | CAPSTAN BELT    | 1    |             |      |
|   | 31   | MSI-5U2LWA    | D.C.MOTOR ASS'Y | 1    |             |      |
|   | 32   | VKR4761-001   | MOTOR PULLEY    | 1    |             |      |
|   | 33   | QYSPSP2604Z   | SCREW           | 2    |             |      |
|   | 34   | QYSBSF2608Z   | T.SCREW         | 3    | FOR P.W.B.  |      |

## ■ Electrical parts list (Main board)

Block No. 01

| △ | Item  | Parts number   | Parts name      | Remarks         | Area |
|---|-------|----------------|-----------------|-----------------|------|
|   | CN900 | QGF1205C1-10   | CONNECTOR       | SLC             |      |
|   | CN901 | QGF1205C1-09   | CONNECTOR       | SLC             |      |
|   | CN902 | QGF1205F1-09   | CONNECTOR       | TUNER           |      |
|   | CN903 | QGF1016F3-19   | CONNECTOR       | CD              |      |
|   | CN904 | QGF1016F3-15   | 15FFC CONNECTOR | VIDEO           |      |
|   | CN905 | QGA2501F1-03   | CONNECTOR       | OPTICAL         |      |
|   | CN908 | QGA2501C1-02   | 2P CONNECTOR    | FAN             |      |
|   | CN913 | QGD2504C1-04Z  | SOCKET          | HP              |      |
|   | CN914 | QGD2504C1-04Z  | SOCKET          | MIC             |      |
|   | CN931 | QGF1205F1-17   | CONNECTOR       | TO FRONT BRD    |      |
|   | CN933 | QGF1205C1-04   | CONNECTOR       | TO CASSETTE DOO |      |
|   | C2000 | QCBB1HK-221Y   | C CAPACITOR     | 220PF 10% 50V   |      |
|   | C2005 | QEK1HM-475Z    | E CAPACITOR     | 4.7MF 20% 50V   |      |
|   | C2006 | QEK1HM-475Z    | E CAPACITOR     | 4.7MF 20% 50V   |      |
|   | C2007 | QTE1V06-106Z   | E CAPACITOR     |                 |      |
|   | C2008 | QEK1HM-475Z    | E CAPACITOR     | 4.7MF 20% 50V   |      |
|   | C2009 | QEK1HM-475Z    | E CAPACITOR     | 4.7MF 20% 50V   |      |
|   | C2010 | QEK1HM-475Z    | E CAPACITOR     | 4.7MF 20% 50V   |      |
|   | C2011 | QFLC1HJ-272Z   | M CAPACITOR     | 2700PF 5% 50V   |      |
|   | C2012 | QFVJ1HJ-104Z   | MF CAPACITOR    | .10MF 5% 50V    |      |
|   | C2013 | QFVJ1HJ-104Z   | MF CAPACITOR    | .10MF 5% 50V    |      |
|   | C2014 | QFVJ1HJ-184Z   | MF CAPACITOR    | .18MF 5% 50V    |      |
|   | C2015 | QFVJ1HJ-184Z   | MF CAPACITOR    | .18MF 5% 50V    |      |
|   | C2016 | QFVJ1HJ-154Z   | MF CAPACITOR    | .15MF 5% 50V    |      |
|   | C2017 | QTE1C06-226Z   | E CAPACITOR     |                 |      |
|   | C2018 | QFVJ1HJ-154Z   | MF CAPACITOR    | .15MF 5% 50V    |      |
|   | C2019 | QFVJ1HJ-274Z   | MF CAPACITOR    | .27MF 5% 50V    |      |
|   | C2026 | QFLC1HJ-123Z   | M CAPACITOR     | .012MF 5% 50V   |      |
|   | C2034 | QETN1HM-225Z   | E CAPACITOR     | 2.2MF 20% 50V   |      |
|   | C2035 | QCBB1HK-471Y   | C CAPACITOR     | 470PF 10% 50V   |      |
|   | C2036 | QCBB1HK-151Y   | C CAPACITOR     | 150PF 10% 50V   |      |
|   | C2037 | QETN1AM-107Z   | E CAPACITOR     | 100MF 20% 10V   |      |
|   | C2100 | QCBB1HK-221Y   | C CAPACITOR     | 220PF 10% 50V   |      |
|   | C2105 | QEK1HM-475Z    | E CAPACITOR     | 4.7MF 20% 50V   |      |
|   | C2106 | QEK1HM-475Z    | E CAPACITOR     | 4.7MF 20% 50V   |      |
|   | C2107 | QTE1V06-106Z   | E CAPACITOR     |                 |      |
|   | C2108 | QEK1HM-475Z    | E CAPACITOR     | 4.7MF 20% 50V   |      |
|   | C2109 | QEK1HM-475Z    | E CAPACITOR     | 4.7MF 20% 50V   |      |
|   | C2110 | QEK1HM-475Z    | E CAPACITOR     | 4.7MF 20% 50V   |      |
|   | C2111 | QFLC1HJ-272Z   | M CAPACITOR     | 2700PF 5% 50V   |      |
|   | C2112 | QFVJ1HJ-104Z   | MF CAPACITOR    | .10MF 5% 50V    |      |
|   | C2113 | QFVJ1HJ-104Z   | MF CAPACITOR    | .10MF 5% 50V    |      |
|   | C2114 | QFVJ1HJ-184Z   | MF CAPACITOR    | .18MF 5% 50V    |      |
|   | C2115 | QFVJ1HJ-184Z   | MF CAPACITOR    | .18MF 5% 50V    |      |
|   | C2116 | QFVJ1HJ-154Z   | MF CAPACITOR    | .15MF 5% 50V    |      |
|   | C2117 | QTE1C06-226Z   | E CAPACITOR     |                 |      |
|   | C2118 | QFVJ1HJ-154Z   | MF CAPACITOR    | .15MF 5% 50V    |      |
|   | C2119 | QFVJ1HJ-274Z   | MF CAPACITOR    | .27MF 5% 50V    |      |
|   | C2126 | QFLC1HJ-123Z   | M CAPACITOR     | .012MF 5% 50V   |      |
|   | C2134 | QETN1HM-225Z   | E CAPACITOR     | 2.2MF 20% 50V   |      |
|   | C2135 | QCBB1HK-471Y   | C CAPACITOR     | 470PF 10% 50V   |      |
|   | C2136 | QCBB1HK-151Y   | C CAPACITOR     | 150PF 10% 50V   |      |
|   | C2137 | QETN1AM-107Z   | E CAPACITOR     | 100MF 20% 10V   |      |
|   | C2200 | QETM1VM-338    | E CAPACITOR     | 3300MF 20% 35V  |      |
|   | C2211 | QDYB1CM-103Y   | C CAPACITOR     |                 |      |
|   | C2212 | EETC1HM-105ZJC | E CAPACITOR     |                 |      |
|   | C2213 | EETC1CM-106ZJC | E CAPACITOR     |                 |      |
|   | C2215 | EEKC1CM-226ZJC | E CAPACITOR     |                 |      |
|   | C2221 | EETC1AM-107ZJC | E CAPACITOR     |                 |      |
|   | C2222 | EEKC1CM-107ZJC | E CAPACITOR     |                 |      |
|   | C2227 | EETC1CM-107ZJC | E CAPACITOR     |                 |      |
|   | C2228 | EETC1HM-475ZJC | E CAPACITOR     |                 |      |
|   | C2236 | EETC1CM-476ZJC | E CAPACITOR     |                 |      |

| △ | Item  | Parts number   | Parts name  | Remarks       | Area |
|---|-------|----------------|-------------|---------------|------|
|   | C2239 | QETN1HM-105Z   | E CAPACITOR | AHBN          |      |
|   | C2501 | QDYB1CM-103Y   | C CAPACITOR |               |      |
|   | C2502 | QDGB1HK-103Y   | C CAPACITOR |               |      |
|   | C2503 | QDGB1HK-102Y   | C CAPACITOR |               |      |
|   | C2504 | QDGB1HK-102Y   | C CAPACITOR |               |      |
|   | C2505 | QDYB1CM-103Y   | C CAPACITOR |               |      |
|   | C2506 | QCBB1HK-471Y   | C CAPACITOR | 470PF 10% 50V |      |
|   | C2507 | QCBB1HK-471Y   | C CAPACITOR | 470PF 10% 50V |      |
|   | C2508 | QCBB1HK-331Y   | C CAPACITOR | 330PF 10% 50V |      |
|   | C2509 | QCBB1HK-331Y   | C CAPACITOR | 330PF 10% 50V |      |
|   | C2550 | QCBB1HK-221Y   | C CAPACITOR | 220PF 10% 50V |      |
|   | C2551 | QDGB1HK-102Y   | C CAPACITOR |               |      |
|   | C2552 | QDGB1HK-102Y   | C CAPACITOR |               |      |
|   | C2553 | QDGB1HK-102Y   | C CAPACITOR |               |      |
|   | C2554 | QDGB1HK-102Y   | C CAPACITOR |               |      |
|   | C2555 | QDGB1HK-102Y   | C CAPACITOR |               |      |
|   | C2556 | QDGB1HK-102Y   | C CAPACITOR |               |      |
|   | C2557 | QDGB1HK-102Y   | C CAPACITOR |               |      |
|   | C2558 | QDGB1HK-102Y   | C CAPACITOR |               |      |
|   | C2559 | QDGB1HK-102Y   | C CAPACITOR |               |      |
|   | C2560 | QCBB1HK-221Y   | C CAPACITOR | 220PF 10% 50V |      |
|   | C2561 | QDGB1HK-102Y   | C CAPACITOR |               |      |
|   | C2700 | QEK1CM-106Z    | E CAPACITOR | 10MF 20% 16V  |      |
|   | C2701 | QEK1CM-106Z    | E CAPACITOR | 10MF 20% 16V  |      |
|   | C2705 | QDXB1CM-222Y   | C CAPACITOR |               |      |
|   | C2750 | QEK1CM-106Z    | E CAPACITOR | 10MF 20% 16V  |      |
|   | C2751 | QEK1CM-106Z    | E CAPACITOR | 10MF 20% 16V  |      |
|   | C2755 | QDXB1CM-222Y   | C CAPACITOR |               |      |
|   | C2780 | EEKC1HM-225ZJC | E CAPACITOR |               |      |
|   | C2781 | EEKC1HM-475ZJC | E CAPACITOR |               |      |
|   | C2782 | EEKC1CM-226ZJC | E CAPACITOR |               |      |
|   | C2783 | QEK1HM-225Z    | E CAPACITOR | 2.2MF 20% 50V |      |
|   | C2784 | QDXB1CM-682Y   | C CAPACITOR |               |      |
|   | C2785 | EEKC1HM-105ZJC | E CAPACITOR |               |      |
|   | C2786 | QFVJ1HJ-334Z   | M CAPACITOR | .33MF 5% 50V  |      |
|   | C2787 | QFLC1HJ-683Z   | M CAPACITOR | .068MF 5% 50V |      |
|   | C2800 | QCS31HJ-470Z   | C CAPACITOR | 47PF 5% 50V   |      |
|   | C2801 | QETN1AM-477Z   | E CAPACITOR | 470MF 20% 10V |      |
|   | C2802 | QDYB1CM-103Y   | C CAPACITOR |               |      |
|   | C2803 | QDGB1HK-102Y   | C CAPACITOR |               |      |
|   | C3201 | EETC1CM-107ZJC | E CAPACITOR |               |      |
|   | C3202 | QFLC1HJ-104Z   | M CAPACITOR | .10MF 5% 50V  |      |
|   | C3203 | EETC1CM-107ZJC | E CAPACITOR |               |      |
|   | C3204 | QFLC1HJ-104Z   | M CAPACITOR | .10MF 5% 50V  |      |
|   | C3205 | EETC1CM-107ZJC | E CAPACITOR |               |      |
|   | C3206 | QFLC1HJ-104Z   | M CAPACITOR | .10MF 5% 50V  |      |
|   | C3210 | EETC0JM-477ZJC | C CAPACITOR |               |      |
|   | C3222 | QFVJ1HJ-334Z   | M CAPACITOR | .33MF 5% 50V  |      |
|   | C3500 | EETC1CM-106ZJC | E CAPACITOR |               |      |
|   | C3502 | EETC1EM-476ZJC | E CAPACITOR |               |      |
|   | C5000 | QDGB1HK-102Y   | C CAPACITOR |               |      |
|   | C5010 | QDYB1CM-103Y   | C CAPACITOR |               |      |
|   | C5011 | QDYB1CM-103Y   | C CAPACITOR |               |      |
|   | C5030 | QCBB1HK-221Y   | C CAPACITOR | 220PF 10% 50V |      |
|   | C5033 | QCBB1HK-221Y   | C CAPACITOR | 220PF 10% 50V |      |
|   | C6001 | EETC1CM-106ZJC | E CAPACITOR |               |      |
|   | C6002 | EETC1HM-105ZJC | E CAPACITOR |               |      |
|   | C6003 | QETC1HM-104Z   | E CAPACITOR | .10MF 20% 50V |      |
|   | C6004 | EETC1HM-105ZJC | E CAPACITOR |               |      |
|   | C6005 | NCS31HJ-390X   | C CAPACITOR |               |      |
|   | C6006 | EETC1CM-226ZJC | E CAPACITOR |               |      |
|   | C6007 | EETC1CM-226ZJC | E CAPACITOR |               |      |
|   | C6008 | EETC1CM-226ZJC | E CAPACITOR |               |      |

## ■ Electrical parts list (Main board)

Block No. 01

| △ | Item  | Parts number   | Parts name   | Remarks       | Area | △ | Item  | Parts number    | Parts name      | Remarks       | Area |
|---|-------|----------------|--------------|---------------|------|---|-------|-----------------|-----------------|---------------|------|
|   | C6009 | NCS31HJ-101X   | C CAPACITOR  |               |      |   | D7005 | 1SS133-T2       | SI DIODE        | USSV          |      |
|   | C6010 | QFVJ1HJ-104Z   | MF CAPACITOR | .10MF 5% 50V  |      |   | D7006 | 1SS133-T2       | SI DIODE        |               |      |
|   | C6011 | EETC1AM-107ZJC | E CAPACITOR  |               |      |   | D7007 | DZ5.1BSC-T2     | ZENER DIODE     | BACK UP CONT. |      |
|   | C6012 | NCS31HJ-101X   | C CAPACITOR  |               |      |   | D7008 | DZ8.2BSB-T2     | ZENER DIODE     |               |      |
|   | C6013 | NCB31HK-333X   | C CAPACITOR  |               |      |   | D7011 | 1N4003S-T5      | SI DIODE        | CD+5V         |      |
|   | C6014 | NCB31HK-472X   | C CAPACITOR  |               |      |   | D7012 | 1SS133-T2       | SI DIODE        |               |      |
|   | C6015 | QFLC1HJ-103Z   | M CAPACITOR  | .010MF 5% 50V |      |   | FW901 | QUM158-11DGZ4   | WIRE            | SUBWOOFER     |      |
|   | C6016 | EETC1HM-475ZJC | E CAPACITOR  |               |      |   | FW902 | QUM154-11DGZ4   | WIRE            | WUBWOOFER     |      |
|   | C6017 | EETC1HM-225ZJC | E CAPACITOR  |               |      |   | HS932 | LV40057-H30B    | HEAT SINK       | HEAT SINK     |      |
|   | C6018 | EETC1HM-226ZJC | E CAPACITOR  |               |      |   | IC611 | BA15218F-XE     | IC              |               |      |
|   | C6019 | NCB31HK-333X   | C CAPACITOR  |               |      |   | IC612 | BU9253FS-X      | IC              |               |      |
|   | C6020 | NCB31HK-332X   | C CAPACITOR  |               |      |   | IC901 | LC75345M-X      | IC              |               |      |
|   | C6021 | QFVJ1HJ-474Z   | MF CAPACITOR | .47MF 5% 50V  |      |   | IC904 | BA15218F-XE     | IC              |               |      |
|   | C6022 | NCB31HK-103X   | C CAPACITOR  |               |      |   | IC906 | BA3837F-X       | IC              |               |      |
|   | C6023 | EETC1HM-225ZJC | E CAPACITOR  |               |      |   | IC910 | L4909           | REGULATOR IC    |               |      |
|   | C6024 | EETC1HM-225ZJC | E CAPACITOR  |               |      |   | IC931 | UPD780056GC-037 | MASK ROM        | SYSTEM MICOM  |      |
|   | C7001 | QCSB1HJ-200Y   | C CAPACITOR  | 20PF 5% 50V   |      |   | IC932 | KIA7806API      | IC              | US6V REG      |      |
|   | C7002 | QCSB1HJ-220Y   | C CAPACITOR  | 22PF 5% 50V   |      |   | J 900 | QNN0215-001     | PIN JACK        | AUX IN        |      |
|   | C7003 | QDGB1HK-102Y   | C CAPACITOR  |               |      |   | J 902 | GP1FA550TZ      | OPT TRANSMITTER |               |      |
|   | C7004 | EEKC1AM-107ZJC | E CAPACITOR  |               |      |   | J 903 | QNN0017-002     | PIN JACK        | VIDEO OUT     |      |
|   | C7005 | QDYB1CM-103Y   | C CAPACITOR  |               |      |   | J5000 | QNS0170-001     | JACK            |               |      |
|   | C7006 | QCSB1HJ-180Y   | C CAPACITOR  | 18PF 5% 50V   |      |   | J6001 | QNS0170-001     | JACK            |               |      |
|   | C7007 | QCSB1HJ-180Y   | C CAPACITOR  | 18PF 5% 50V   |      |   | K2200 | QQR0621-001Z    | FERRITE BEADS   |               |      |
|   | C7008 | EETB0JM-228JC  | E CAPACITOR  |               |      |   | K2500 | QQR0621-001Z    | FERRITE BEADS   |               |      |
|   | C7009 | EETC1HM-225ZJC | E CAPACITOR  |               |      |   | K2550 | QQR0621-001Z    | FERRITE BEADS   |               |      |
|   | C7010 | EETC1HM-475ZJC | E CAPACITOR  |               |      |   | K2551 | QQR0621-001Z    | FERRITE BEADS   |               |      |
|   | C7011 | EETC1CM-107ZJC | E CAPACITOR  |               |      |   | K2552 | QQR0621-001Z    | FERRITE BEADS   |               |      |
|   | C7012 | QFLC1HJ-104Z   | M CAPACITOR  | .10MF 5% 50V  |      |   | K2800 | QQR0621-001Z    | FERRITE BEADS   |               |      |
|   | C7041 | QDYB1CM-103Y   | C CAPACITOR  |               |      |   | K2801 | QQR0621-001Z    | FERRITE BEADS   |               |      |
|   | C7061 | QCBB1HK-151Y   | C CAPACITOR  | 150PF 10% 50V |      |   | K5022 | QQR0779-001Z    | INDUCTOR        |               |      |
|   | C7063 | QCBB1HK-151Y   | C CAPACITOR  | 150PF 10% 50V |      |   | K6001 | QQR0621-001Z    | FERRITE BEADS   |               |      |
|   | C7106 | QCBB1HK-101Y   | C CAPACITOR  | 100PF 10% 50V |      |   | K6002 | QQR0621-001Z    | FERRITE BEADS   |               |      |
|   | C7114 | QCBB1HK-151Y   | C CAPACITOR  | 150PF 10% 50V |      |   | K6003 | QQR0621-001Z    | FERRITE BEADS   |               |      |
|   | C7115 | QCBB1HK-101Y   | C CAPACITOR  | 100PF 10% 50V |      |   | K7001 | QQR0621-001Z    | FERRITE BEADS   | VSS0          |      |
|   | C7123 | QDGB1HK-102Y   | C CAPACITOR  |               |      |   | K7002 | QQR0621-001Z    | FERRITE BEADS   | AVSS          |      |
|   | C7128 | QDGB1HK-102Y   | C CAPACITOR  |               |      |   | K7003 | QQR0621-001Z    | FERRITE BEADS   | LCD DG        |      |
|   | C7135 | QCBB1HK-101Y   | C CAPACITOR  | 100PF 10% 50V |      |   | L2500 | QLL231K-560Y    | INDUCTOR        |               |      |
|   | C7136 | QCBB1HK-101Y   | C CAPACITOR  | 100PF 10% 50V |      |   | L2501 | QLL231K-560Y    | INDUCTOR        |               |      |
|   | C7144 | QDYB1CM-103Y   | C CAPACITOR  |               |      |   | L2800 | QQR0797-001     | INDUCTOR        | EMC           |      |
|   | C7152 | QDGB1HK-102Y   | C CAPACITOR  |               |      |   | L3500 | QLL231K-4R7Y    | INDUCTOR        |               |      |
|   | D2200 | 1SS133-T2      | SI DIODE     |               |      |   | L5030 | QLL231K-470Y    | INDUCTOR        |               |      |
|   | D2201 | 1SS133-T2      | SI DIODE     |               |      |   | L5033 | QLL231K-470Y    | INDUCTOR        |               |      |
|   | D2202 | DZ6.8BSB-T2    | Z DIODE      |               |      |   | L7001 | QLL231K-100Y    | INDUCTOR        | USSV          |      |
|   | D2203 | 1SS133-T2      | SI DIODE     |               |      |   | L7002 | QLL231K-470Y    | INDUCTOR        | AVDD & VDD    |      |
|   | D2204 | 1N4003S-T5     | SI DIODE     |               |      |   | L7003 | QLL231K-4R7Y    | INDUCTOR        | AVREF         |      |
|   | D2205 | 1SS133-T2      | SI DIODE     |               |      |   | L7020 | QLL231K-100Y    | INDUCTOR        | CD+5V         |      |
|   | D2206 | 1SS133-T2      | SI DIODE     |               |      |   | PP900 | QZW0038-001     | WIRE CLAMP      |               |      |
|   | D2218 | DZ4.3BSB-T2    | Z DIODE      |               |      |   | Q2206 | 2SC2412K/R/-X   | TRANSISTOR      |               |      |
|   | D2780 | DZ5.1BSB-T2    | ZENER DIODE  |               |      |   | Q2207 | 2SC2412K/R/-X   | TRANSISTOR      |               |      |
|   | D2800 | DZ6.8BSC-T2    | Z DIODE      |               |      |   | Q2208 | DTA143EKA-X     | TRANSISTOR      |               |      |
|   | D2801 | 1SS133-T2      | SI DIODE     |               |      |   | Q2209 | 2SC2412K/R/-X   | TRANSISTOR      |               |      |
|   | D2802 | 1SS133-T2      | SI DIODE     |               |      |   | Q2210 | 2SC2412K/R/-X   | TRANSISTOR      |               |      |
|   | D3218 | 1SS133-T2      | SI DIODE     |               |      |   | Q2211 | 2SC2001/LK/-T   | TRANSISTOR      |               |      |
|   | D3219 | DZ8.2BSC-T2    | Z DIODE      |               |      |   | Q2215 | 2SC2412K/R/-X   | TRANSISTOR      |               |      |
|   | D3220 | DZ11BSB-T2     | Z DIODE      |               |      |   | Q2216 | 2SC2412K/R/-X   | TRANSISTOR      |               |      |
|   | D3221 | DZ11BSB-T2     | Z DIODE      |               |      |   | Q2217 | DTA114EKA-X     | DIGITAL TRANSIS |               |      |
|   | D6001 | 1SS133-T2      | SI DIODE     |               |      |   | Q2219 | 2SC2412K/R/-X   | TRANSISTOR      |               |      |
|   | D6002 | 1SS133-T2      | SI DIODE     |               |      |   | Q2220 | 2SC2412K/R/-X   | TRANSISTOR      |               |      |
|   | D6003 | DZ5.1BSB-T2    | ZENER DIODE  |               |      |   | Q2221 | DTC114EKA-X     | TRANSISTOR      |               |      |
|   | D7001 | 1SS133-T2      | SI DIODE     | USSV          |      |   | Q2780 | DTC114TKA-X     | TRANSISTOR      |               |      |
|   | D7002 | 1SS133-T2      | SI DIODE     |               |      |   | Q2781 | DTC114TKA-X     | TRANSISTOR      |               |      |
|   | D7003 | 1SS133-T2      | SI DIODE     | RESET         |      |   | Q3500 | 2SA1037AK/R/-X  | TRANSISTOR      |               |      |
|   | D7004 | 1SS133-T2      | SI DIODE     | BACK UP       |      |   | Q3501 | DTC144EKA-X     | TRANSISTOR      |               |      |

## ■ Electrical parts list (Main board)

Block No. 01

| △ | Item  | Parts number    | Parts name | Remarks      | Area |
|---|-------|-----------------|------------|--------------|------|
|   | Q6001 | 2SC2412K/R/-X   | TRANSISTOR |              |      |
|   | Q6002 | 2SC2412K/R/-X   | TRANSISTOR |              |      |
|   | Q6003 | DTC144EKA-X     | TRANSISTOR |              |      |
|   | Q7001 | 2SA1037AK/RS/-X | TRANSISTOR | SW5V         |      |
|   | Q7002 | DTC114TKA-X     | TRANSISTOR | RESET SW     |      |
|   | Q7003 | 2SC2412K/R/-X   | TRANSISTOR | BACKUP CONT  |      |
|   | Q7020 | 2SA952/LK/-T    | TRANSISTOR | CD+5V        |      |
|   | Q7021 | DTC114EKA-X     | TRANSISTOR | CD+5V        |      |
|   | Q7031 | 2SC2412K/R/-X   | TRANSISTOR | POUT SW      |      |
|   | Q7041 | 2SC2412K/R/-X   | TRANSISTOR | PHOTO BUFFER |      |
|   | Q7061 | DTC114TKA-X     | TRANSISTOR | TU           |      |
|   | Q7062 | DTC114TKA-X     | TRANSISTOR | TU           |      |
|   | Q7064 | DTA114TKA-X     | DIGITAL.TR | TU+5.6V      |      |
|   | Q7065 | DTC114TKA-X     | TRANSISTOR | TU+5.6V      |      |
|   | Q7091 | DTC114EKA-X     | TRANSISTOR | DIMMMER      |      |
|   | Q7092 | 2SA1037AK/RS/-X | TRANSISTOR | DIMMER       |      |
|   | Q7401 | DTC114EKA-X     | TRANSISTOR | TAPE LED     |      |
|   | Q7402 | DTC114EKA-X     | TRANSISTOR | TAPE LED     |      |
|   | Q7403 | DTC114EKA-X     | TRANSISTOR | TAPE LED     |      |
|   | R2000 | QRE141J-303Y    | C RESISTOR | 30K 5% 1/4W  |      |
|   | R2001 | QRE141J-303Y    | C RESISTOR | 30K 5% 1/4W  |      |
|   | R2006 | QRE141J-222Y    | C RESISTOR | 2.2K 5% 1/4W |      |
|   | R2007 | QRE141J-622Y    | C RESISTOR | 6.2K 5% 1/4W |      |
|   | R2008 | QRE141J-912Y    | C RESISTOR | 9.1K 5% 1/4W |      |
|   | R2009 | QRE141J-272Y    | C RESISTOR | 2.7K 5% 1/4W |      |
|   | R2010 | QRE141J-752Y    | C RESISTOR | 7.5K 5% 1/4W |      |
|   | R2011 | QRE141J-752Y    | C RESISTOR | 7.5K 5% 1/4W |      |
|   | R2012 | QRE141J-152Y    | C RESISTOR | 1.5K 5% 1/4W |      |
|   | R2013 | QRE141J-222Y    | C RESISTOR | 2.2K 5% 1/4W |      |
|   | R2014 | QRE141J-303Y    | C RESISTOR | 30K 5% 1/4W  |      |
|   | R2015 | QRE141J-473Y    | C RESISTOR | 47K 5% 1/4W  |      |
|   | R2016 | QRE141J-622Y    | C RESISTOR | 6.2K 5% 1/4W |      |
|   | R2017 | QRE141J-182Y    | C RESISTOR | 1.8K 5% 1/4W |      |
|   | R2032 | QRE141J-222Y    | C RESISTOR | H/P          |      |
|   | R2033 | QRE141J-332Y    | C RESISTOR | 3.3K 5% 1/4W |      |
|   | R2034 | QRE141J-472Y    | C RESISTOR | 4.7K 5% 1/4W |      |
|   | R2035 | QRE141J-562Y    | C RESISTOR | 5.6K 5% 1/4W |      |
|   | R2036 | QRE141J-332Y    | C RESISTOR | 3.3K 5% 1/4W |      |
|   | R2037 | QRE141J-563Y    | C RESISTOR | 56K 5% 1/4W  |      |
|   | R2038 | QRE141J-220Y    | C RESISTOR | 22 5% 1/4W   |      |
|   | R2039 | QRE141J-222Y    | C RESISTOR | 2.2K 5% 1/4W |      |
|   | R2040 | QRE141J-471Y    | C RESISTOR | 470 5% 1/4W  |      |
|   | R2041 | QRE141J-182Y    | C RESISTOR | 1.8K 5% 1/4W |      |
|   | R2047 | QRE141J-154Y    | C RESISTOR | 150K 5% 1/4W |      |
|   | R2049 | QRE141J-103Y    | C RESISTOR | 10K 5% 1/4W  |      |
|   | R2100 | QRE141J-303Y    | C RESISTOR | 30K 5% 1/4W  |      |
|   | R2101 | QRE141J-303Y    | C RESISTOR | 30K 5% 1/4W  |      |
|   | R2106 | QRE141J-222Y    | C RESISTOR | 2.2K 5% 1/4W |      |
|   | R2107 | QRE141J-622Y    | C RESISTOR | 6.2K 5% 1/4W |      |
|   | R2108 | QRE141J-912Y    | C RESISTOR | 9.1K 5% 1/4W |      |
|   | R2109 | QRE141J-272Y    | C RESISTOR | 2.7K 5% 1/4W |      |
|   | R2110 | QRE141J-752Y    | C RESISTOR | 7.5K 5% 1/4W |      |
|   | R2111 | QRE141J-752Y    | C RESISTOR | 7.5K 5% 1/4W |      |
|   | R2112 | QRE141J-152Y    | C RESISTOR | 1.5K 5% 1/4W |      |
|   | R2113 | QRE141J-222Y    | C RESISTOR | 2.2K 5% 1/4W |      |
|   | R2114 | QRE141J-303Y    | C RESISTOR | 30K 5% 1/4W  |      |
|   | R2115 | QRE141J-473Y    | C RESISTOR | 47K 5% 1/4W  |      |
|   | R2116 | QRE141J-622Y    | C RESISTOR | 6.2K 5% 1/4W |      |
|   | R2117 | QRE141J-182Y    | C RESISTOR | 1.8K 5% 1/4W |      |
|   | R2132 | QRE141J-222Y    | C RESISTOR | H/P          |      |
|   | R2133 | QRE141J-332Y    | C RESISTOR | 3.3K 5% 1/4W |      |
|   | R2134 | QRE141J-472Y    | C RESISTOR | 4.7K 5% 1/4W |      |
|   | R2135 | QRE141J-562Y    | C RESISTOR | 5.6K 5% 1/4W |      |

| △ | Item  | Parts number | Parts name  | Remarks      | Area |
|---|-------|--------------|-------------|--------------|------|
|   | R2136 | QRE141J-332Y | C RESISTOR  | 3.3K 5% 1/4W |      |
|   | R2137 | QRE141J-563Y | C RESISTOR  | 56K 5% 1/4W  |      |
|   | R2138 | QRE141J-220Y | C RESISTOR  | 22 5% 1/4W   |      |
|   | R2139 | QRE141J-222Y | C RESISTOR  | 2.2K 5% 1/4W |      |
|   | R2140 | QRE141J-471Y | C RESISTOR  | 470 5% 1/4W  |      |
|   | R2141 | QRE141J-182Y | C RESISTOR  | 1.8K 5% 1/4W |      |
|   | R2147 | QRE141J-154Y | C RESISTOR  | 150K 5% 1/4W |      |
|   | R2149 | QRE141J-103Y | C RESISTOR  | 10K 5% 1/4W  |      |
|   | R2200 | QRE141J-273Y | C RESISTOR  | 27K 5% 1/4W  |      |
|   | R2207 | QRE141J-513Y | C RESISTOR  | 51K 5% 1/4W  |      |
|   | R2208 | QRE141J-124Y | C RESISTOR  | 120K 5% 1/4W |      |
|   | R2216 | QRE141J-103Y | C RESISTOR  | 10K 5% 1/4W  |      |
|   | R2217 | QRE141J-101Y | C RESISTOR  | 100 5% 1/4W  |      |
|   | R2218 | QRE141J-471Y | C RESISTOR  | 470 5% 1/4W  |      |
|   | R2221 | QRE141J-101Y | C RESISTOR  | 100 5% 1/4W  |      |
|   | R2222 | QRE141J-222Y | C RESISTOR  | 2.2K 5% 1/4W |      |
|   | R2224 | QRE141J-222Y | C RESISTOR  | 2.2K 5% 1/4W |      |
|   | R2228 | QRE141J-334Y | C RESISTOR  | AHBIN        |      |
|   | R2230 | QRE141J-102Y | C RESISTOR  | 1.0K 5% 1/4W |      |
|   | R2233 | QRE141J-473Y | C RESISTOR  | 47K 5% 1/4W  |      |
|   | R2700 | QRE141J-682Y | C RESISTOR  | 6.8K 5% 1/4W |      |
|   | R2701 | QRE141J-752Y | C RESISTOR  | 7.5K 5% 1/4W |      |
|   | R2702 | QRE141J-202Y | C RESISTOR  | 2.0K 5% 1/4W |      |
|   | R2705 | QRE141J-102Y | C RESISTOR  | 1.0K 5% 1/4W |      |
|   | R2750 | QRE141J-682Y | C RESISTOR  | 6.8K 5% 1/4W |      |
|   | R2751 | QRE141J-752Y | C RESISTOR  | 7.5K 5% 1/4W |      |
|   | R2752 | QRE141J-202Y | C RESISTOR  | 2.0K 5% 1/4W |      |
|   | R2755 | QRE141J-102Y | C RESISTOR  | 1.0K 5% 1/4W |      |
|   | R2781 | QRE141J-102Y | C RESISTOR  | 1.0K 5% 1/4W |      |
|   | R2782 | QRE141J-221Y | C RESISTOR  | 220 5% 1/4W  |      |
|   | R2783 | QRE141J-101Y | C RESISTOR  | 100 5% 1/4W  |      |
|   | R2800 | QRE141J-104Y | C RESISTOR  | 100K 5% 1/4W |      |
|   | R3200 | QRE141J-102Y | C RESISTOR  | 1.0K 5% 1/4W |      |
|   | R3201 | QRE141J-822Y | C RESISTOR  | 8.2K 5% 1/4W |      |
|   | R3202 | QRE141J-122Y | C RESISTOR  | 1.2K 5% 1/4W |      |
|   | R3203 | QRE141J-392Y | C RESISTOR  | 3.9K 5% 1/4W |      |
|   | R3204 | QRE141J-122Y | C RESISTOR  | 1.2K 5% 1/4W |      |
|   | R3205 | QRE141J-822Y | C RESISTOR  | 8.2K 5% 1/4W |      |
|   | R3206 | QRE141J-122Y | C RESISTOR  | 1.2K 5% 1/4W |      |
|   | R3210 | QRE141J-102Y | C RESISTOR  | 1.0K 5% 1/4W |      |
|   | R3220 | QRE141J-181Y | C RESISTOR  | 180 5% 1/4W  |      |
|   | R3221 | QRE141J-181Y | C RESISTOR  | 180 5% 1/4W  |      |
|   | R3500 | QRE141J-103Y | C RESISTOR  | 10K 5% 1/4W  |      |
|   | R3504 | QRE141J-104Y | C RESISTOR  | 100K 5% 1/4W |      |
|   | R3505 | QRE141J-102Y | C RESISTOR  | 1.0K 5% 1/4W |      |
|   | R6001 | NRSA63J-474X | MG RESISTOR |              |      |
|   | R6002 | NRSA63J-103X | MG RESISTOR |              |      |
|   | R6003 | NRSA63J-103X | MG RESISTOR |              |      |
|   | R6004 | NRSA63J-103X | MG RESISTOR |              |      |
|   | R6005 | NRSA63J-102X | MG RESISTOR |              |      |
|   | R6006 | NRSA63J-103X | MG RESISTOR |              |      |
|   | R6007 | NRSA63J-471X | MG RESISTOR |              |      |
|   | R6008 | NRSA63J-102X | MG RESISTOR |              |      |
|   | R6010 | NRSA63J-564X | MG RESISTOR |              |      |
|   | R6011 | NRSA63J-392X | MG RESISTOR |              |      |
|   | R6012 | NRSA63J-103X | MG RESISTOR |              |      |
|   | R6013 | NRSA63J-102X | MG RESISTOR |              |      |
|   | R6014 | NRSA63J-154X | MG RESISTOR |              |      |
|   | R6015 | NRSA63J-154X | MG RESISTOR |              |      |
|   | R6016 | NRSA63J-221X | MG RESISTOR |              |      |
|   | R6017 | NRSA63J-153X | MG RESISTOR |              |      |
|   | R6018 | NRSA63J-103X | MG RESISTOR |              |      |
|   | R6019 | NRSA63J-221X | MG RESISTOR |              |      |

■ Electrical parts list (Main board)

Block No. 01

| △ | Item  | Parts number | Parts name     | Remarks      | Area |
|---|-------|--------------|----------------|--------------|------|
|   | R6020 | NRSA63J-152X | MG RESISTOR    |              |      |
|   | R6021 | NRSA63J-203X | MG RESISTOR    |              |      |
|   | R6022 | NRSA63J-203X | MG RESISTOR    |              |      |
|   | R6023 | NRSA63J-103X | MG RESISTOR    |              |      |
|   | R6024 | NRSA63J-822X | MG RESISTOR    |              |      |
|   | R6025 | NRSA63J-333X | MG RESISTOR    |              |      |
|   | R6026 | NRSA63J-333X | MG RESISTOR    |              |      |
|   | R6027 | NRSA63J-204X | MG RESISTOR    |              |      |
|   | R6028 | NRSA63J-123X | MG RESISTOR    |              |      |
|   | R6029 | NRSA63J-103X | MG RESISTOR    |              |      |
|   | R6030 | NRSA63J-472X | MG RESISTOR    |              |      |
|   | R6031 | NRSA63J-153X | MG RESISTOR    |              |      |
|   | R6032 | NRSA63J-752X | MG RESISTOR    |              |      |
|   | R6033 | NRSA63J-512X | MG RESISTOR    |              |      |
|   | R6034 | NRSA63J-102X | MG RESISTOR    |              |      |
| △ | R7000 | QRZ9006-5R6X | F RESISTOR     | 5.6 1/4W     |      |
|   | R7001 | QRE141J-102Y | C RESISTOR     | 1.0K 5% 1/4W |      |
|   | R7002 | QRE141J-103Y | C RESISTOR     | 10K 5% 1/4W  |      |
|   | R7003 | QRE141J-331Y | C RESISTOR     | 330 5% 1/4W  |      |
|   | R7004 | QRE141J-103Y | C RESISTOR     | 10K 5% 1/4W  |      |
|   | R7005 | QRE141J-103Y | C RESISTOR     | 10K 5% 1/4W  |      |
|   | R7006 | QRE141J-104Y | C RESISTOR     | 100K 5% 1/4W |      |
|   | R7007 | QRE141J-473Y | C RESISTOR     | 47K 5% 1/4W  |      |
|   | R7008 | QRE141J-333Y | C RESISTOR     | 33K 5% 1/4W  |      |
|   | R7011 | QRE141J-103Y | C RESISTOR     | 10K 5% 1/4W  |      |
|   | R7012 | QRE141J-511Y | C RESISTOR     | 510 5% 1/4W  |      |
|   | R7020 | QRJ146J-100X | UNF.C RESISTOR | 10 5% 1/4W   |      |
|   | R7041 | QRE141J-823Y | C RESISTOR     | 82K 5% 1/4W  |      |
|   | R7042 | QRE141J-394Y | C RESISTOR     | 390K 5% 1/4W |      |
|   | R7043 | QRE141J-104Y | C RESISTOR     | 100K 5% 1/4W |      |
|   | R7062 | QRE141J-102Y | C RESISTOR     | 1.0K 5% 1/4W |      |
|   | R7064 | QRE141J-103Y | C RESISTOR     | 10K 5% 1/4W  |      |
|   | R7065 | QRE141J-563Y | C RESISTOR     | 56K 5% 1/4W  |      |
|   | R7070 | QRE141J-470Y | C RESISTOR     | 47 5% 1/4W   |      |
|   | R7091 | QRE141J-103Y | C RESISTOR     | 10K 5% 1/4W  |      |
|   | R7092 | QRE141J-473Y | C RESISTOR     | 47K 5% 1/4W  |      |
|   | R7093 | QRE141J-102Y | C RESISTOR     | 1.0K 5% 1/4W |      |
|   | R7101 | QRE141J-222Y | C RESISTOR     | 2.2K 5% 1/4W |      |
|   | R7106 | QRE141J-102Y | C RESISTOR     | 1.0K 5% 1/4W |      |
|   | R7107 | QRE141J-102Y | C RESISTOR     | 1.0K 5% 1/4W |      |
|   | R7109 | QRE141J-102Y | C RESISTOR     | 1.0K 5% 1/4W |      |
|   | R7113 | QRE141J-103Y | C RESISTOR     | 10K 5% 1/4W  |      |
|   | R7114 | QRE141J-102Y | C RESISTOR     | 1.0K 5% 1/4W |      |
|   | R7115 | QRE141J-102Y | C RESISTOR     | 1.0K 5% 1/4W |      |
|   | R7116 | QRE141J-223Y | C RESISTOR     | 22K 5% 1/4W  |      |
|   | R7117 | QRE141J-102Y | C RESISTOR     | 1.0K 5% 1/4W |      |
|   | R7119 | QRE141J-102Y | C RESISTOR     | 1.0K 5% 1/4W |      |
|   | R7120 | QRE141J-222Y | C RESISTOR     | 2.2K 5% 1/4W |      |
|   | R7121 | QRE141J-222Y | C RESISTOR     | 2.2K 5% 1/4W |      |
|   | R7123 | QRE141J-222Y | C RESISTOR     | 2.2K 5% 1/4W |      |
|   | R7124 | QRE141J-102Y | C RESISTOR     | 1.0K 5% 1/4W |      |
|   | R7125 | QRE141J-222Y | C RESISTOR     | 2.2K 5% 1/4W |      |
|   | R7127 | QRE141J-123Y | C RESISTOR     | 12K 5% 1/4W  |      |
|   | R7128 | QRE141J-222Y | C RESISTOR     | 2.2K 5% 1/4W |      |
|   | R7129 | QRE141J-222Y | C RESISTOR     | 2.2K 5% 1/4W |      |
|   | R7130 | QRE141J-222Y | C RESISTOR     | 2.2K 5% 1/4W |      |
|   | R7131 | QRE141J-222Y | C RESISTOR     | 2.2K 5% 1/4W |      |
|   | R7132 | QRE141J-222Y | C RESISTOR     | 2.2K 5% 1/4W |      |
|   | R7133 | QRE141J-222Y | C RESISTOR     | 2.2K 5% 1/4W |      |
|   | R7134 | QRE141J-222Y | C RESISTOR     | 2.2K 5% 1/4W |      |
|   | R7135 | QRE141J-222Y | C RESISTOR     | 2.2K 5% 1/4W |      |
|   | R7136 | QRE141J-222Y | C RESISTOR     | 2.2K 5% 1/4W |      |
|   | R7137 | QRE141J-222Y | C RESISTOR     | 2.2K 5% 1/4W |      |

| △ | Item  | Parts number  | Parts name | Remarks      | Area |
|---|-------|---------------|------------|--------------|------|
|   | R7138 | QRE141J-222Y  | C RESISTOR | 2.2K 5% 1/4W |      |
|   | R7139 | QRE141J-222Y  | C RESISTOR | 2.2K 5% 1/4W |      |
|   | R7140 | QRE141J-222Y  | C RESISTOR | 2.2K 5% 1/4W |      |
|   | R7141 | QRE141J-222Y  | C RESISTOR | 2.2K 5% 1/4W |      |
|   | R7142 | QRE141J-102Y  | C RESISTOR | 1.0K 5% 1/4W |      |
|   | R7143 | QRE141J-222Y  | C RESISTOR | 2.2K 5% 1/4W |      |
|   | R7144 | QRE141J-222Y  | C RESISTOR | 2.2K 5% 1/4W |      |
|   | R7145 | QRE141J-102Y  | C RESISTOR | 1.0K 5% 1/4W |      |
|   | R7146 | QRE141J-222Y  | C RESISTOR | 2.2K 5% 1/4W |      |
|   | R7148 | QRE141J-222Y  | C RESISTOR | 2.2K 5% 1/4W |      |
|   | R7149 | QRE141J-103Y  | C RESISTOR | 10K 5% 1/4W  |      |
|   | R7150 | QRE141J-222Y  | C RESISTOR | 2.2K 5% 1/4W |      |
|   | R7151 | QRE141J-222Y  | C RESISTOR | 2.2K 5% 1/4W |      |
|   | R7152 | QRE141J-222Y  | C RESISTOR | 2.2K 5% 1/4W |      |
|   | R7153 | QRE141J-222Y  | C RESISTOR | 2.2K 5% 1/4W |      |
|   | R7154 | QRE141J-222Y  | C RESISTOR | 2.2K 5% 1/4W |      |
|   | R7155 | QRE141J-222Y  | C RESISTOR | 2.2K 5% 1/4W |      |
|   | R7157 | QRE141J-103Y  | C RESISTOR | 10K 5% 1/4W  |      |
|   | R7158 | QRE141J-222Y  | C RESISTOR | 2.2K 5% 1/4W |      |
|   | R7159 | QRE141J-222Y  | C RESISTOR | 2.2K 5% 1/4W |      |
|   | R7160 | QRE141J-222Y  | C RESISTOR | 2.2K 5% 1/4W |      |
|   | R7161 | QRE141J-103Y  | C RESISTOR | 10K 5% 1/4W  |      |
|   | R7201 | QRE141J-104Y  | C RESISTOR | 100K 5% 1/4W |      |
|   | R7214 | QRE141J-473Y  | C RESISTOR | 47K 5% 1/4W  |      |
|   | R7215 | QRE141J-473Y  | C RESISTOR | 47K 5% 1/4W  |      |
|   | R7221 | QRE141J-103Y  | C RESISTOR | 10K 5% 1/4W  |      |
|   | R7232 | QRE141J-823Y  | C RESISTOR | 82K 5% 1/4W  |      |
|   | R7236 | QRE141J-103Y  | C RESISTOR | 10K 5% 1/4W  |      |
|   | R7238 | QRE141J-103Y  | C RESISTOR | 10K 5% 1/4W  |      |
|   | R7239 | QRE141J-103Y  | C RESISTOR | 10K 5% 1/4W  |      |
|   | R7240 | QRE141J-103Y  | C RESISTOR | 10K 5% 1/4W  |      |
|   | R7252 | QRE141J-103Y  | C RESISTOR | 10K 5% 1/4W  |      |
|   | R7253 | QRE141J-104Y  | C RESISTOR | 100K 5% 1/4W |      |
|   | R7254 | QRE141J-103Y  | C RESISTOR | 10K 5% 1/4W  |      |
|   | R7255 | QRE141J-103Y  | C RESISTOR | 10K 5% 1/4W  |      |
|   | VR601 | QVQ0306-B24   | V RESISTOR | MIC VOL ADJ  |      |
|   | W5000 | QUM158-10DGZ4 | WIRE       | HP TO FMC    |      |
|   | X7001 | QAX0410-001Z  | CERA LOCK  |              |      |
|   | X7002 | QAX0401-001   | CRYSTAL    |              |      |

## ■ Electrical parts list (Front board)

Block No. 02

| △ | Item  | Parts number   | Parts name   | Remarks         | Area | △ | Item  | Parts number   | Parts name     | Remarks       | Area |
|---|-------|----------------|--------------|-----------------|------|---|-------|----------------|----------------|---------------|------|
|   | CN932 | QGF1205F1-17   | CONNECTOR    |                 |      |   | C7352 | QDYB1CM-103Y   | C CAPACITOR    |               |      |
|   | CN934 | QGF1205F1-04   | CONNECTOR    |                 |      |   | DI934 | QLD0160-001    | LCD            | LCD DISPLAY   |      |
|   | CN941 | QGB2510K2-04   | CONNECTOR    |                 |      | △ | D1000 | 1N4003S-T5     | SI DIODE       |               |      |
|   | CN943 | QGB2510J1-04   | CONNECTOR    |                 |      | △ | D1001 | 1N4003S-T5     | SI DIODE       |               |      |
|   | CN944 | QGD2504C1-04Z  | SOCKET       |                 |      | △ | D1002 | 1N4003S-T5     | SI DIODE       |               |      |
|   | CN945 | QGD2504C1-04Z  | SOCKET       |                 |      | △ | D1003 | 1N4003S-T5     | SI DIODE       |               |      |
|   | CN946 | QGD2504C1-04Z  | SOCKET       |                 |      | △ | D1004 | 1N5401-TM      | DIODE          |               |      |
|   | CN950 | QGD2504C1-03Z  | SOCKET       |                 |      | △ | D1005 | 1N5401-TM      | DIODE          |               |      |
|   | CN951 | QGD2504C1-03Z  | SOCKET       |                 |      | △ | D1006 | 1N5401-TM      | DIODE          |               |      |
|   | C1000 | QFLC1HJ-104Z   | M CAPACITOR  | .10MF 5% 50V    |      | △ | D1007 | 1N5401-TM      | DIODE          |               |      |
|   | C1001 | QFLC1HJ-104Z   | M CAPACITOR  | .10MF 5% 50V    |      |   | D1012 | 1SS133-T2      | SI DIODE       |               |      |
|   | C1002 | QFLC1HJ-104Z   | M CAPACITOR  | .10MF 5% 50V    |      |   | D1013 | DZ5.1BSB-T2    | ZENER DIODE    |               |      |
|   | C1003 | QFLC1HJ-104Z   | M CAPACITOR  | .10MF 5% 50V    |      |   | D4000 | 1SS133-T2      | SI DIODE       |               |      |
|   | C1004 | QFLC1HJ-104Z   | M CAPACITOR  | .10MF 5% 50V    |      |   | D4001 | 1SS133-T2      | SI DIODE       |               |      |
|   | C1005 | QFLC1HJ-104Z   | M CAPACITOR  | .10MF 5% 50V    |      |   | D4002 | 1SS133-T2      | SI DIODE       |               |      |
|   | C1006 | QFLC1HJ-104Z   | M CAPACITOR  | .10MF 5% 50V    |      |   | D4003 | 1SS133-T2      | SI DIODE       |               |      |
|   | C1007 | QFLC1HJ-104Z   | M CAPACITOR  | .10MF 5% 50V    |      |   | D4004 | 1SS133-T2      | SI DIODE       |               |      |
|   | C1012 | EETC1HM-106ZJC | E CAPACITOR  |                 |      |   | D4006 | 1SS133-T2      | SI DIODE       |               |      |
|   | C4000 | QCBB1HK-101Y   | C CAPACITOR  | 100PF 10% 50V   |      |   | D4007 | 1SS133-T2      | SI DIODE       |               |      |
|   | C4001 | QCBB1HK-101Y   | C CAPACITOR  | 100PF 10% 50V   |      |   | D4008 | DZ24BSC-T2     | DIODE          |               |      |
|   | C4002 | QTE1V06-106Z   | E CAPACITOR  |                 |      |   | D4009 | DZ5.1BSB-T2    | ZENER DIODE    |               |      |
|   | C4004 | QETN1HM-226Z   | E CAPACITOR  | 22MF 20% 50V    |      |   | D7321 | QLMP-AB49      | LED            | BACK LIGHT    |      |
|   | C4005 | QETN1HM-226Z   | E CAPACITOR  | 22MF 20% 50V    |      |   | D7322 | QLMP-AB49      | LED            | BACK LIGHT    |      |
|   | C4006 | QCBB1HK-101Y   | C CAPACITOR  | 100PF 10% 50V   |      |   | D7323 | QLMP-AB49      | LED            | BACK LIGHT    |      |
|   | C4007 | QCBB1HK-101Y   | C CAPACITOR  | 100PF 10% 50V   |      | △ | D7331 | SPR-39MVWF     | LED            | POW INDICATOR |      |
|   | C4008 | QETN1HM-476Z   | E CAPACITOR  | 47MF 20% 50V    |      |   | D7332 | 1SS133-T2      | SI DIODE       |               |      |
|   | C4009 | QETN1HM-476Z   | E CAPACITOR  | 47MF 20% 50V    |      |   | D7361 | DZ10BSC-T2     | Z DIODE        |               |      |
|   | C4010 | QCSB1HJ-100Y   | C CAPACITOR  | 10PF 5% 50V     |      |   | D7362 | DZ10BSC-T2     | Z DIODE        |               |      |
|   | C4011 | QCSB1HJ-100Y   | C CAPACITOR  | 10PF 5% 50V     |      |   | D7363 | DZ10BSC-T2     | Z DIODE        |               |      |
|   | C4012 | QFLC1HJ-223Z   | M CAPACITOR  | .022MF 5% 50V   |      |   | D7401 | SLR-342MC-T    | LED            | LED FR PLAY   |      |
|   | C4013 | QTE1V06-106Z   | E CAPACITOR  |                 |      |   | D7402 | SLR-342VC-T    | LED            | LED REC       |      |
|   | C4014 | QFLC1HJ-104Z   | M CAPACITOR  | .10MF 5% 50V    |      |   | D7403 | SLR-342MC-T    | LED            | LED RV PLAY   |      |
|   | C4015 | QFLC1HJ-104Z   | M CAPACITOR  | .10MF 5% 50V    |      |   | EP940 | E409182-001SM  | GRAND TERMINAL |               |      |
|   | C4016 | QFLC1HJ-104Z   | M CAPACITOR  | .10MF 5% 50V    |      |   | FW931 | QUM023-05Z4Z4  | TM FLAT        | FLAT WIRE     |      |
|   | C4017 | QFLC1HJ-104Z   | M CAPACITOR  | .10MF 5% 50V    |      |   | FW944 | QUM156-11DGZ4  | FLAT WIRE      |               |      |
|   | C4018 | QETN1HM-106Z   | E CAPACITOR  | 10MF 20% 50V    |      | △ | F1000 | QMF51W2-2R0-J8 | FUSE           |               |      |
|   | C4019 | QETN1HM-106Z   | E CAPACITOR  | 10MF 20% 50V    |      | △ | F1001 | QMF51W2-2R0-J8 | FUSE           |               |      |
|   | C4020 | QETM1HM-228    | E CAPACITOR  | 2200MF 20% 50V  |      | △ | F1002 | QMF51W2-1R0-J8 | FUSE           |               |      |
|   | C4021 | QETM1HM-228    | E CAPACITOR  | 2200MF 20% 50V  |      |   | IC933 | GP1U261X       | IR DETECT UNIT | IR RX         |      |
|   | C4022 | QCB31HK-272Z   | C CAPACITOR  | 2700PF 10% 50V  |      |   | IC934 | NJU6433FG1     | IC             | LCD DRIVER    |      |
|   | C4023 | QCB31HK-272Z   | C CAPACITOR  | 2700PF 10% 50V  |      |   | IC940 | TDA7294        | IC             |               |      |
|   | C4024 | QFLC1HJ-223Z   | M CAPACITOR  | .022MF 5% 50V   |      |   | IC941 | TDA7294        | IC             |               |      |
|   | C4025 | QFLC1HJ-223Z   | M CAPACITOR  | .022MF 5% 50V   |      |   | JA940 | QNB0118-001    | SPK.TERMINAL   |               |      |
|   | C4026 | QFLC1HJ-223Z   | M CAPACITOR  | .022MF 5% 50V   |      |   | JS731 | QSW0917-001    | R ENCODER      | VOLUME        |      |
|   | C4027 | QFLC1HJ-223Z   | M CAPACITOR  | .022MF 5% 50V   |      | △ | J1000 | QGA7901C1-02   | CONNECTOR      |               |      |
|   | C4028 | EETC1EM-226ZJC | E CAPACITOR  |                 |      |   | L4000 | QQLZ005-R45    | INDUCTOR       |               |      |
|   | C4029 | QETN1CM-476Z   | E CAPACITOR  | 47MF 20% 16V    |      |   | L4001 | QQLZ005-R45    | INDUCTOR       |               |      |
|   | C4030 | QETN1HM-226Z   | E CAPACITOR  | 22MF 20% 50V    |      |   | L4002 | QQR0797-001    | INDUCTOR       |               |      |
|   | C4031 | QCF31HZ-223Z   | C CAPACITOR  | .022MF +80%-20% |      |   | L4003 | QQR0797-001    | INDUCTOR       |               |      |
|   | C4032 | QETN1HM-105Z   | E CAPACITOR  | 1.0MF 20% 50V   |      |   | Q1002 | KTC3199/GL-T   | TRANSISTOR     |               |      |
|   | C4033 | QFVJ1HJ-184Z   | MF CAPACITOR | .18MF 5% 50V    |      |   | Q4000 | 2SC3576-JVC-T  | TRANSISTOR     |               |      |
|   | C4036 | EETC1HM-106ZJC | E CAPACITOR  |                 |      |   | Q4001 | 2SC3576-JVC-T  | TRANSISTOR     |               |      |
|   | C4037 | QTE1V06-106Z   | E CAPACITOR  |                 |      |   | Q4002 | KRA102M-T      | D TRANSISTOR   |               |      |
|   | C4038 | QTE1V06-106Z   | E CAPACITOR  |                 |      |   | Q4003 | KTC3199/GL-T   | TRANSISTOR     |               |      |
|   | C7301 | QEKC1CM-476Z   | E CAPACITOR  | 47MF 20% 16V    |      |   | Q4004 | KTA1267/YG-T   | TRANSISTOR     |               |      |
|   | C7302 | QDGB1HK-102Y   | C CAPACITOR  |                 |      |   | Q4005 | KTC3199/GL-T   | TRANSISTOR     |               |      |
|   | C7303 | QDYB1CM-103Y   | C CAPACITOR  |                 |      |   | Q4006 | KTC3199/GL-T   | TRANSISTOR     |               |      |
|   | C7304 | QDYB1CM-103Y   | C CAPACITOR  |                 |      |   | Q7331 | KRC111M-T      | TRANSISTOR     |               |      |
|   | C7305 | QDYB1CM-103Y   | C CAPACITOR  |                 |      |   | RY941 | QSK0109-001    | RELAY          |               |      |
|   | C7306 | QDYB1CM-103Y   | C CAPACITOR  |                 |      |   | R1003 | QRE141J-103Y   | C RESISTOR     | 10K 5% 1/4W   |      |
|   | C7307 | QDYB1CM-103Y   | C CAPACITOR  |                 |      |   | R1004 | QRE141J-472Y   | C RESISTOR     | 4.7K 5% 1/4W  |      |
|   | C7341 | QEKC1AM-107Z   | E CAPACITOR  | 100MF 20% 10V   |      |   | R1005 | QRE141J-472Y   | C RESISTOR     | 4.7K 5% 1/4W  |      |
|   | C7351 | QDYB1CM-103Y   | C CAPACITOR  |                 |      |   | R4000 | QRE141J-102Y   | C RESISTOR     | 1.0K 5% 1/4W  |      |

■ Electrical parts list (Front panel)

Block No. 02

| △ | Item  | Parts number | Parts name      | Remarks      | Area |
|---|-------|--------------|-----------------|--------------|------|
|   | R4001 | QRE141J-102Y | C RESISTOR      | 1.0K 5% 1/4W |      |
|   | R4002 | QRE141J-472Y | C RESISTOR      | 4.7K 5% 1/4W |      |
|   | R4003 | QRE141J-472Y | C RESISTOR      | 4.7K 5% 1/4W |      |
|   | R4004 | QRE141J-103Y | C RESISTOR      | 10K 5% 1/4W  |      |
|   | R4005 | QRE141J-103Y | C RESISTOR      | 10K 5% 1/4W  |      |
|   | R4006 | QRE141J-104Y | C RESISTOR      | 100K 5% 1/4W |      |
|   | R4007 | QRE141J-104Y | C RESISTOR      | 100K 5% 1/4W |      |
| △ | R4008 | QRJ146J-821X | UNF.C.RESISTOR  | 820 5% 1/4W  |      |
|   | R4009 | QRJ146J-821X | UNF.C.RESISTOR  | 820 5% 1/4W  |      |
|   | R4010 | QRE141J-473Y | C RESISTOR      | 47K 5% 1/4W  |      |
|   | R4011 | QRE141J-473Y | C RESISTOR      | 47K 5% 1/4W  |      |
|   | R4012 | QRE141J-122Y | C RESISTOR      | 1.2K 5% 1/4W |      |
|   | R4013 | QRE141J-122Y | C RESISTOR      | 1.2K 5% 1/4W |      |
| △ | R4014 | QRJ146J-100X | UNF.C.RESISTOR  | 10 5% 1/4W   |      |
|   | R4015 | QRJ146J-100X | UNF.C.RESISTOR  | 10 5% 1/4W   |      |
| △ | R4016 | QRJ146J-100X | UNF.C.RESISTOR  | 10 5% 1/4W   |      |
|   | R4017 | QRJ146J-100X | UNF.C.RESISTOR  | 10 5% 1/4W   |      |
| △ | R4018 | QRT01DJ-R22X | UNF.MF.RESISTOR | 5% 1/1W      |      |
|   | R4019 | QRT01DJ-R22X | UNF.MF.RESISTOR | 5% 1/1W      |      |
|   | R4020 | QRE141J-563Y | C RESISTOR      | 56K 5% 1/4W  |      |
|   | R4021 | QRE141J-563Y | C RESISTOR      | 56K 5% 1/4W  |      |
|   | R4022 | QRE141J-103Y | C RESISTOR      | 10K 5% 1/4W  |      |
|   | R4023 | QRE141J-472Y | C RESISTOR      | 4.7K 5% 1/4W |      |
|   | R4024 | QRE141J-4R7Y | C RESISTOR      | 4.7 5% 1/4W  |      |
|   | R4025 | QRE141J-4R7Y | C RESISTOR      | 4.7 5% 1/4W  |      |
|   | R4026 | QRE141J-103Y | C RESISTOR      | 10K 5% 1/4W  |      |
|   | R4027 | QRE141J-103Y | C RESISTOR      | 10K 5% 1/4W  |      |
|   | R4028 | QRE141J-301Y | C RESISTOR      | 300 5% 1/4W  |      |
|   | R4029 | QRE141J-823Y | C RESISTOR      | 82K 5% 1/4W  |      |
|   | R4030 | QRE141J-104Y | C RESISTOR      | 100K 5% 1/4W |      |
|   | R4031 | QRE141J-103Y | C RESISTOR      | 10K 5% 1/4W  |      |
|   | R4032 | QRE141J-104Y | C RESISTOR      | 100K 5% 1/4W |      |
|   | R4033 | QRE141J-124Y | C RESISTOR      | 120K 5% 1/4W |      |
|   | R4034 | QRE141J-122Y | C RESISTOR      | 1.2K 5% 1/4W |      |
|   | R4035 | QRE141J-103Y | C RESISTOR      | 10K 5% 1/4W  |      |
|   | R4036 | QRE141J-104Y | C RESISTOR      | 100K 5% 1/4W |      |
| △ | R4037 | QRZ9006-4R7X | F RESISTOR      | 4.7 1/4W     |      |
|   | R4038 | QRE141J-472Y | C RESISTOR      | 4.7K 5% 1/4W |      |
|   | R4040 | QRE141J-330Y | C RESISTOR      | 33 5% 1/4W   |      |
| △ | R4041 | QRL01DJ-471X | OMF RESISTOR    | 470 5% 1/1W  |      |
|   | R4042 | QRE141J-103Y | C RESISTOR      | 10K 5% 1/4W  |      |
|   | R4043 | QRE141J-103Y | C RESISTOR      | 10K 5% 1/4W  |      |
|   | R4044 | QRE141J-152Y | C RESISTOR      | 1.5K 5% 1/4W |      |
|   | R4045 | QRE141J-203Y | C RESISTOR      | 20K 5% 1/4W  |      |
|   | R7301 | QRE141J-102Y | C RESISTOR      | 1.0K 5% 1/4W |      |
|   | R7302 | QRE141J-102Y | C RESISTOR      | 1.0K 5% 1/4W |      |
|   | R7303 | QRE141J-122Y | C RESISTOR      | 1.2K 5% 1/4W |      |
|   | R7304 | QRE141J-152Y | C RESISTOR      | 1.5K 5% 1/4W |      |
|   | R7305 | QRE141J-222Y | C RESISTOR      | 2.2K 5% 1/4W |      |
|   | R7306 | QRE141J-272Y | C RESISTOR      | 2.7K 5% 1/4W |      |
|   | R7307 | QRE141J-392Y | C RESISTOR      | 3.9K 5% 1/4W |      |
|   | R7308 | QRE141J-562Y | C RESISTOR      | 5.6K 5% 1/4W |      |
|   | R7309 | QRE141J-103Y | C RESISTOR      | 10K 5% 1/4W  |      |
|   | R7310 | QRE141J-183Y | C RESISTOR      | 18K 5% 1/4W  |      |
|   | R7311 | QRE141J-102Y | C RESISTOR      | 1.0K 5% 1/4W |      |
|   | R7312 | QRE141J-102Y | C RESISTOR      | 1.0K 5% 1/4W |      |
|   | R7313 | QRE141J-122Y | C RESISTOR      | 1.2K 5% 1/4W |      |
|   | R7315 | QRE141J-473Y | C RESISTOR      | VERSION      |      |
|   | R7316 | QRE141J-433Y | C RESISTOR      | 43K 5% 1/4W  |      |
|   | R7321 | QRE141J-301Y | C RESISTOR      | 300 5% 1/4W  |      |
|   | R7322 | QRE141J-301Y | C RESISTOR      | 300 5% 1/4W  |      |
|   | R7323 | QRE141J-301Y | C RESISTOR      | 300 5% 1/4W  |      |
|   | R7331 | QRE141J-161Y | C RESISTOR      | 160 5% 1/4W  |      |

| △ | Item  | Parts number | Parts name     | Remarks      | Area |
|---|-------|--------------|----------------|--------------|------|
|   | R7332 | QRE141J-470Y | C RESISTOR     | 47 5% 1/4W   |      |
|   | R7341 | QRE141J-103Y | C RESISTOR     | 10K 5% 1/4W  |      |
|   | R7342 | QRE141J-134Y | C RESISTOR     | 130K 5% 1/4W |      |
|   | R7401 | QRE141J-201Y | C RESISTOR     | 200 5% 1/4W  |      |
|   | R7402 | QRE141J-201Y | C RESISTOR     | 200 5% 1/4W  |      |
|   | R7403 | QRE141J-201Y | C RESISTOR     | 200 5% 1/4W  |      |
| △ | S1000 | QSW0812-001  | VOLTAGE SWITCH | U SERIES     |      |
|   | S7301 | QSW0825-001Z | TACT SWITCH    | RETURN       |      |
|   | S7302 | QSW0825-001Z | TACT SWITCH    | CLOCK        |      |
|   | S7303 | QSW0825-001Z | TACT SWITCH    | TIMER        |      |
|   | S7304 | QSW0825-001Z | TACT SWITCH    | REVERSE      |      |
|   | S7305 | QSW0825-001Z | TACT SWITCH    | CD REC       |      |
|   | S7306 | QSW0825-001Z | TACT SWITCH    | AUX          |      |
|   | S7307 | QSW0825-001Z | TACT SWITCH    | TUNER        |      |
|   | S7308 | QSW0825-001Z | TACT SWITCH    | TAPE         |      |
|   | S7309 | QSW0825-001Z | TACT SWITCH    | CD           |      |
|   | S7310 | QSW0825-001Z | TACT SWITCH    | DOWN         |      |
|   | S7311 | QSW0825-001Z | TACT SWITCH    | STOP         |      |
|   | S7312 | QSW0825-001Z | TACT SWITCH    | OPEN/CLOSE   |      |
|   | S7313 | QSW0825-001Z | TACT SWITCH    | SOUND        |      |
|   | S7314 | QSW0825-001Z | TACT SWITCH    | AHB-PRO      |      |
|   | S7315 | QSW0825-001Z | TACT SWITCH    | POWER        |      |
|   | S7316 | QSW0825-001Z | TACT SWITCH    | UP           |      |
|   | Z1000 | QNG0020-001Z | FUSE CLIP      |              |      |
|   | Z1001 | QNG0020-001Z | FUSE CLIP      |              |      |
|   | Z1002 | QNG0020-001Z | FUSE CLIP      |              |      |
|   | Z1003 | QNG0020-001Z | FUSE CLIP      |              |      |
|   | Z1004 | QNG0020-001Z | FUSE CLIP      |              |      |
|   | Z1005 | QNG0020-001Z | FUSE CLIP      |              |      |

## ■ Electrical parts list (CD servo board)

Block No. 03

| △ | Item  | Parts number   | Parts name      | Remarks        | Area |
|---|-------|----------------|-----------------|----------------|------|
|   | C 601 | NCB31HK-222X   | C CAPACITOR     |                |      |
|   | C 602 | NCB31HK-222X   | C CAPACITOR     |                |      |
|   | C 603 | NCB31HK-223X   | C CAPACITOR     |                |      |
|   | C 604 | NCB31HK-223X   | C CAPACITOR     |                |      |
|   | C 605 | NCS31HJ-471X   | C CAPACITOR     |                |      |
|   | C 606 | NCS31HJ-820X   | C CAPACITOR     |                |      |
|   | C 610 | NCB31CK-273X   | C CAPACITOR     |                |      |
|   | C 612 | QERF1HM-105Z   | E CAPACITOR     | 1.0MF 20% 50V  |      |
|   | C 613 | NCB31AK-224X   | C CAPACITOR     |                |      |
|   | C 614 | NCB31CK-273X   | C CAPACITOR     |                |      |
|   | C 615 | NCB31HK-472X   | C CAPACITOR     |                |      |
|   | C 616 | NCB31HK-103X   | C CAPACITOR     |                |      |
|   | C 617 | NCS31HJ-331X   | C CAPACITOR     |                |      |
|   | C 619 | NCS31HJ-330X   | C CAPACITOR     |                |      |
|   | C 621 | NCF31AZ-105X   | C CAPACITOR     |                |      |
|   | C 622 | NCB31CK-473X   | C CAPACITOR     |                |      |
|   | C 623 | NCF31AZ-105X   | C CAPACITOR     |                |      |
|   | C 624 | QERF0JM-107Z   | E CAPACITOR     | 100MF 20% 6.3V |      |
|   | C 631 | QERF1CM-106Z   | E CAPACITOR     | 10MF 20% 16V   |      |
|   | C 632 | NCF31AZ-105X   | C CAPACITOR     |                |      |
|   | C 633 | NCB31HK-223X   | C CAPACITOR     |                |      |
|   | C 641 | NCB31CK-473X   | C CAPACITOR     |                |      |
|   | C 642 | NCB31HK-472X   | C CAPACITOR     |                |      |
|   | C 643 | NCB31HK-122X   | C CAPACITOR     |                |      |
|   | C 651 | NCS31HJ-120X   | C CAPACITOR     |                |      |
|   | C 652 | NCS31HJ-120X   | C CAPACITOR     |                |      |
|   | C 655 | NCB31CK-104X   | C CAPACITOR     |                |      |
|   | C 656 | NCB31CK-104X   | C CAPACITOR     |                |      |
|   | C 657 | QERF1AM-227Z   | E CAPACITOR     | 220MF 20% 10V  |      |
|   | C 659 | QCFB1HZ-104Y   | C CAPACITOR     | .10MF +80%-20% |      |
|   | C 661 | NCS31HJ-471X   | C CAPACITOR     |                |      |
|   | C 663 | NCB31HK-223X   | C CAPACITOR     |                |      |
|   | C 664 | NCB31HK-223X   | C CAPACITOR     |                |      |
|   | C 665 | NCB31AK-154X   | C CAPACITOR     |                |      |
|   | C 669 | QERF1AM-227Z   | E CAPACITOR     | 220MF 20% 10V  |      |
|   | C 673 | QERF1AM-227Z   | E CAPACITOR     | 220MF 20% 10V  |      |
|   | C 676 | NCB31CK-104X   | C CAPACITOR     |                |      |
|   | C 677 | NCB31CK-104X   | C CAPACITOR     |                |      |
|   | C 679 | QERF0JM-107Z   | E CAPACITOR     | 100MF 20% 6.3V |      |
|   | C 680 | NCB31CK-104X   | C CAPACITOR     |                |      |
|   | C 681 | NCB31AK-334X   | C CAPACITOR     |                |      |
|   | C 682 | NCB31HK-102X   | C CAPACITOR     |                |      |
|   | C 683 | NCB31HK-102X   | C CAPACITOR     |                |      |
|   | C 801 | NCB31HK-682X   | C CAPACITOR     |                |      |
|   | C 802 | NCB31HK-472X   | C CAPACITOR     |                |      |
|   | C 811 | NCS31HJ-391X   | C CAPACITOR     |                |      |
|   | C 812 | NCS31HJ-391X   | C CAPACITOR     |                |      |
|   | C 813 | NCS31HJ-391X   | C CAPACITOR     |                |      |
|   | C 814 | NCS31HJ-391X   | C CAPACITOR     |                |      |
|   | C 821 | NCF31AZ-105X   | C CAPACITOR     |                |      |
|   | C 822 | QERF1AM-227Z   | E CAPACITOR     | 220MF 20% 10V  |      |
|   | C 831 | EEKJ1CM-107ZJC | E CAPACITOR     |                |      |
|   | C 832 | NCB31HK-103X   | C CAPACITOR     |                |      |
|   | C 833 | NCB31CK-104X   | C CAPACITOR     |                |      |
|   | C 851 | NCS31HJ-330X   | C CAPACITOR     |                |      |
|   | C 852 | NCS31HJ-330X   | C CAPACITOR     |                |      |
|   | C 853 | NCB31CK-104X   | C CAPACITOR     |                |      |
|   | C 854 | QERF1CM-476Z   | E CAPACITOR     | 47MF 20% 16V   |      |
|   | C 855 | QERF1CM-476Z   | E CAPACITOR     | 47MF 20% 16V   |      |
|   | CN601 | QGF1016F3-16   | 16FFC CONNECTOR |                |      |
|   | CN606 | QGF1205F1-05   | CONNECTOR       |                |      |
|   | CN651 | QGF1016F3-15   | 15FFC CONNECTOR |                |      |
|   | CN652 | QGF1016F3-19   | CONNECTOR       |                |      |

| △ | Item  | Parts number    | Parts name   | Remarks | Area |
|---|-------|-----------------|--------------|---------|------|
|   | CN801 | QGA2001C1-06    | 6P PLUG ASSY |         |      |
|   | D 601 | 1SS355-X        | DIODE        |         |      |
|   | D 602 | 1SS355-X        | DIODE        |         |      |
|   | D 610 | 1SS133-T2       | SI DIODE     |         |      |
|   | D 611 | 1SS133-T2       | SI DIODE     |         |      |
|   | D 831 | MTZJ5.6B-T2     | ZENER DIODE  |         |      |
|   | IC601 | AN22000A-W      | IC           |         |      |
|   | IC651 | MN662748RPMFA   | IC           |         |      |
|   | IC801 | LA6541-X        | IC           |         |      |
|   | IC802 | LB1641          | IC           |         |      |
|   | IC851 | MN101C30AEF     | IC           |         |      |
|   | L 831 | QQL244K-100Z    | INDUCTOR     |         |      |
|   | Q 631 | 2SA1037AK/RS/-X | TRANSISTOR   |         |      |
|   | Q 851 | 2SA952/LK-T     | TRANSISTOR   |         |      |
|   | R 601 | NRSA63J-474X    | MG RESISTOR  |         |      |
|   | R 602 | NRSA63J-274X    | MG RESISTOR  |         |      |
|   | R 603 | NRSA63J-393X    | MG RESISTOR  |         |      |
|   | R 604 | NRSA63J-274X    | MG RESISTOR  |         |      |
|   | R 605 | NRSA63J-472X    | MG RESISTOR  |         |      |
|   | R 606 | NRSA63J-472X    | MG RESISTOR  |         |      |
|   | R 607 | NRSA63J-623X    | MG RESISTOR  |         |      |
|   | R 610 | NRSA63J-223X    | MG RESISTOR  |         |      |
|   | R 611 | NRSA63J-223X    | MG RESISTOR  |         |      |
|   | R 612 | NRSA63J-822X    | MG RESISTOR  |         |      |
|   | R 613 | NRSA63J-472X    | MG RESISTOR  |         |      |
|   | R 615 | NRSA63J-472X    | MG RESISTOR  |         |      |
|   | R 616 | NRSA63J-472X    | MG RESISTOR  |         |      |
|   | R 617 | NRSA63J-472X    | MG RESISTOR  |         |      |
|   | R 631 | NRSA63J-2R2X    | MG RESISTOR  |         |      |
|   | R 632 | NRSA63J-100X    | MG RESISTOR  |         |      |
|   | R 634 | NRSA63J-120X    | MG RESISTOR  |         |      |
|   | R 635 | NRSA63J-121X    | MG RESISTOR  |         |      |
|   | R 636 | NRSA63J-910X    | MG RESISTOR  |         |      |
|   | R 641 | NRSA63J-154X    | MG RESISTOR  |         |      |
|   | R 642 | NRSA63J-564X    | MG RESISTOR  |         |      |
|   | R 643 | NRSA63J-153X    | MG RESISTOR  |         |      |
|   | R 647 | NRSA63J-0R0X    | MG RESISTOR  |         |      |
|   | R 651 | NRSA63J-102X    | MG RESISTOR  |         |      |
|   | R 652 | NRSA63J-102X    | MG RESISTOR  |         |      |
|   | R 653 | NRSA63J-102X    | MG RESISTOR  |         |      |
|   | R 654 | NRSA63J-101X    | MG RESISTOR  |         |      |
|   | R 655 | NRSA63J-510X    | MG RESISTOR  |         |      |
|   | R 656 | NRSA63J-102X    | MG RESISTOR  |         |      |
|   | R 657 | NRSA63J-0R0X    | MG RESISTOR  |         |      |
|   | R 658 | NRSA63J-0R0X    | MG RESISTOR  |         |      |
|   | R 659 | NRSA63J-0R0X    | MG RESISTOR  |         |      |
|   | R 661 | NRSA63J-393X    | MG RESISTOR  |         |      |
|   | R 662 | NRSA63J-683X    | MG RESISTOR  |         |      |
|   | R 663 | NRSA63J-124X    | MG RESISTOR  |         |      |
|   | R 664 | NRSA63J-331X    | MG RESISTOR  |         |      |
|   | R 665 | NRSA63J-271X    | MG RESISTOR  |         |      |
|   | R 666 | NRSA63J-221X    | MG RESISTOR  |         |      |
|   | R 667 | NRSA63J-4R7X    | MG RESISTOR  |         |      |
|   | R 670 | NRSA63J-101X    | MG RESISTOR  |         |      |
|   | R 681 | NRSA63J-272X    | MG RESISTOR  |         |      |
|   | R 682 | NRSA63J-102X    | MG RESISTOR  |         |      |
|   | R 683 | NRSA63J-105X    | MG RESISTOR  |         |      |
|   | R 684 | NRSA63J-155X    | MG RESISTOR  |         |      |
|   | R 801 | NRSA63J-272X    | MG RESISTOR  |         |      |
|   | R 802 | NRSA63J-472X    | MG RESISTOR  |         |      |
|   | R 803 | NRSA63J-472X    | MG RESISTOR  |         |      |
|   | R 804 | NRSA63J-823X    | MG RESISTOR  |         |      |
|   | R 805 | NRSA63J-912X    | MG RESISTOR  |         |      |



## ■ Electrical parts list (CD servo board)

Block No. 03

| △ | Item  | Parts number  | Parts name      | Remarks     | Area |
|---|-------|---------------|-----------------|-------------|------|
|   | R 806 | NRSA63J-473X  | MG RESISTOR     |             |      |
|   | R 807 | NRSA63J-272X  | MG RESISTOR     |             |      |
|   | R 808 | NRSA63J-433X  | MG RESISTOR     |             |      |
|   | R 809 | NRSA63J-122X  | MG RESISTOR     |             |      |
|   | R 819 | QRE141J-2R2Y  | C RESISTOR      | 2.2 5% 1/4W |      |
|   | R 820 | QRE141J-2R2Y  | C RESISTOR      | 2.2 5% 1/4W |      |
|   | R 822 | NRSA63J-473X  | MG RESISTOR     |             |      |
|   | R 831 | QRE141J-100Y  | C RESISTOR      | 10 5% 1/4W  |      |
|   | R 851 | NRSA63J-103X  | MG RESISTOR     |             |      |
|   | R 852 | NRSA63J-122X  | MG RESISTOR     |             |      |
|   | R 853 | NRSA63J-102X  | MG RESISTOR     |             |      |
|   | R 854 | NRSA63J-101X  | MG RESISTOR     |             |      |
|   | R 855 | NRSA63J-101X  | MG RESISTOR     |             |      |
|   | R 856 | NRSA63J-101X  | MG RESISTOR     |             |      |
|   | R 858 | NRSA63J-101X  | MG RESISTOR     |             |      |
|   | R 859 | NRSA63J-101X  | MG RESISTOR     |             |      |
|   | R 860 | NRSA63J-101X  | MG RESISTOR     |             |      |
|   | R 861 | NRSA63J-102X  | MG RESISTOR     |             |      |
|   | R 862 | NRSA63J-103X  | MG RESISTOR     |             |      |
|   | R 863 | NRSA63J-222X  | MG RESISTOR     |             |      |
|   | R 864 | NRSA63J-102X  | MG RESISTOR     |             |      |
|   | R 865 | NRSA63J-102X  | MG RESISTOR     |             |      |
|   | R 866 | NRSA63J-102X  | MG RESISTOR     |             |      |
|   | R 867 | NRSA63J-102X  | MG RESISTOR     |             |      |
|   | R 868 | NRSA63J-102X  | MG RESISTOR     |             |      |
|   | R 869 | NRSA63J-102X  | MG RESISTOR     |             |      |
|   | R 870 | NRSA63J-102X  | MG RESISTOR     |             |      |
|   | R 871 | NRSA63J-102X  | MG RESISTOR     |             |      |
|   | R 872 | NRSA63J-102X  | MG RESISTOR     |             |      |
|   | R 873 | NRSA63J-103X  | MG RESISTOR     |             |      |
|   | R 874 | NRSA63J-101X  | MG RESISTOR     |             |      |
|   | R 875 | NRSA63J-101X  | MG RESISTOR     |             |      |
|   | R 876 | NRSA63J-101X  | MG RESISTOR     |             |      |
|   | R 881 | NRSA63J-102X  | MG RESISTOR     |             |      |
|   | R 882 | NRSA63J-102X  | MG RESISTOR     |             |      |
|   | R 883 | NRSA63J-102X  | MG RESISTOR     |             |      |
|   | R 884 | NRSA63J-103X  | MG RESISTOR     |             |      |
|   | R 885 | NRSA63J-102X  | MG RESISTOR     |             |      |
|   | SP602 | E3400-431     | SPACER          |             |      |
|   | SP610 | E3400-431     | SPACER          |             |      |
|   | SP611 | E3400-431     | SPACER          |             |      |
|   | SP659 | E3400-431     | SPACER          |             |      |
|   | W 605 | QJP001-031601 | SHI CR C-B WIRE |             |      |
|   | X 651 | QAX0413-001Z  | CRYSTAL         |             |      |
|   | X 851 | QAX0283-001Z  | SONATOR         |             |      |

■ Electrical parts list(Tuner board)

Block No. 04

| △ | Item | Parts number   | Parts name      | Remarks       | Area |
|---|------|----------------|-----------------|---------------|------|
|   | C 1  | NCB21HK-223X   | C CAPACITOR     |               |      |
|   | C 2  | NCB21HK-103X   | C CAPACITOR     |               |      |
|   | C 3  | EETC1CM-106ZJC | E CAPACITOR     |               |      |
|   | C 4  | NCB21HK-103X   | C CAPACITOR     |               |      |
|   | C 6  | NCB21HK-102X   | C CAPACITOR     |               |      |
|   | C 7  | NCB21HK-102X   | C CAPACITOR     |               |      |
|   | C 8  | NCB21HK-102X   | C CAPACITOR     |               |      |
|   | C 10 | NRSA02J-0R0X   | MG RESISTOR     |               |      |
|   | C 11 | NCB21HK-104X   | C CAPACITOR     |               |      |
|   | C 12 | NCB21HK-473X   | C CAPACITOR     |               |      |
|   | C 13 | NCS21HJ-120X   | C CAPACITOR     |               |      |
|   | C 14 | EEKC1AM-107ZJC | E CAPACITOR     |               |      |
|   | C 15 | NCS21HJ-120X   | C CAPACITOR     |               |      |
|   | C 16 | NCS21HJ-120X   | C CAPACITOR     |               |      |
|   | C 17 | NCB21HK-392X   | C CAPACITOR     |               |      |
|   | C 18 | QEQ61HM-474Z   | N.P.E CAPACITOR | .47MF 20% 50V |      |
|   | C 19 | NCB21HK-473X   | C CAPACITOR     |               |      |
|   | C 20 | NCB21HK-102X   | C CAPACITOR     |               |      |
|   | C 21 | NCB21HK-223X   | C CAPACITOR     |               |      |
|   | C 22 | NCS21HJ-151X   | C CAPACITOR     |               |      |
|   | C 23 | NCS21HJ-151X   | C CAPACITOR     |               |      |
|   | C 24 | NCS21HJ-151X   | C CAPACITOR     |               |      |
|   | C 25 | EEKC1AM-107ZJC | E CAPACITOR     |               |      |
|   | C 26 | NCB21HK-102X   | C CAPACITOR     |               |      |
|   | C 27 | NCB21HK-102X   | C CAPACITOR     |               |      |
|   | C 30 | EETC1CM-107ZJC | E CAPACITOR     |               |      |
|   | C 31 | EEKC1CM-226ZJC | E CAPACITOR     |               |      |
|   | C 32 | NCB21HK-473X   | C CAPACITOR     |               |      |
|   | C 33 | NCB21HK-473X   | C CAPACITOR     |               |      |
|   | C 34 | NCB21HK-223X   | C CAPACITOR     |               |      |
|   | C 35 | NCB21HK-473X   | C CAPACITOR     |               |      |
|   | C 36 | EEKC1HM-105ZJC | E CAPACITOR     |               |      |
|   | C 37 | EEKC1HM-105ZJC | E CAPACITOR     |               |      |
|   | C 38 | EETC1HM-224ZJC | E CAPACITOR     |               |      |
|   | C 39 | EETC1HM-105ZJC | E CAPACITOR     |               |      |
|   | C 40 | QETN1CM-106Z   | E CAPACITOR     | 10MF 20% 16V  |      |
|   | C 41 | QETN1CM-106Z   | E CAPACITOR     | 10MF 20% 16V  |      |
|   | C 42 | NCB21HK-152X   | C CAPACITOR     |               |      |
|   | C 43 | NCB21HK-152X   | C CAPACITOR     |               |      |
|   | C 44 | QETN1CM-106Z   | E CAPACITOR     | 10MF 20% 16V  |      |
|   | C 45 | QETN1CM-106Z   | E CAPACITOR     | 10MF 20% 16V  |      |
|   | C 46 | NCB21HK-273X   | C CAPACITOR     |               |      |
|   | C 47 | EETC1HM-105ZJC | E CAPACITOR     |               |      |
|   | C 48 | NCB21HK-222X   | C CAPACITOR     |               |      |
|   | C 49 | NCS21HJ-471X   | C CAPACITOR     |               |      |
|   | C 50 | EETC1CM-226ZJC | E CAPACITOR     |               |      |
|   | C 51 | EEKC1HM-105ZJC | E CAPACITOR     |               |      |
|   | C 52 | QFVJ1HJ-274Z   | MF CAPACITOR    | .27MF 5% 50V  |      |
|   | C 53 | EETC1CM-226ZJC | E CAPACITOR     |               |      |
|   | C 54 | NCB21HK-473X   | C CAPACITOR     |               |      |
|   | C 57 | NCB21HK-102X   | C CAPACITOR     |               |      |
|   | C 58 | NCB21HK-473X   | C CAPACITOR     |               |      |
|   | C 59 | NCB21HK-102X   | C CAPACITOR     |               |      |
|   | CF 1 | QAX0677-001Z   | C FILTER        |               |      |
|   | CF 2 | QAX0677-001Z   | C FILTER        |               |      |
|   | CF 3 | QAX0610-001Z   | C DISCRIMINATOR |               |      |
|   | CN 1 | QGF1205F1-09   | CONNECTOR       |               |      |
|   | D 1  | 1SS133-T2      | SI DIODE        |               |      |
|   | D 2  | 1SS133-T2      | SI DIODE        |               |      |
|   | D 3  | 1SS133-T2      | SI DIODE        |               |      |
|   | D 4  | 1SS133-T2      | SI DIODE        |               |      |
|   | D 11 | 1SS133-T2      | SI DIODE        |               |      |
|   | IC 1 | LA1838         | IC              |               |      |

| △ | Item | Parts number   | Parts name   | Remarks    | Area |
|---|------|----------------|--------------|------------|------|
|   | IC 2 | LC72136N       | IC           |            |      |
|   | J 1  | QNB0014-001    | ANT TERMINAL |            |      |
|   | L 1  | QQR0796-002    | COIL BLOCK   |            |      |
|   | Q 1  | 2SC2814/4-5/-X | TRANSISTOR   |            |      |
|   | Q 5  | DTA114YKA-X    | TRANSISTOR   |            |      |
|   | R 1  | QRE141J-560Y   | C RESISTOR   | 56 5% 1/4W |      |
|   | R 2  | NRSA02J-331X   | MG RESISTOR  |            |      |
|   | R 3  | NRSA02J-224X   | MG RESISTOR  |            |      |
|   | R 4  | NRSA02J-331X   | MG RESISTOR  |            |      |
|   | R 5  | NRSA02J-560X   | MG RESISTOR  |            |      |
|   | R 6  | NRSA02J-240X   | MG RESISTOR  |            |      |
|   | R 10 | NRSA02J-222X   | MG RESISTOR  |            |      |
|   | R 13 | NRSA02J-103X   | MG RESISTOR  |            |      |
|   | R 14 | NRSA02J-104X   | MG RESISTOR  |            |      |
|   | R 15 | NRSA02J-332X   | MG RESISTOR  |            |      |
|   | R 16 | NRSA02J-472X   | MG RESISTOR  |            |      |
| △ | R 17 | QRZ9005-680X   | F RESISTOR   | 68 1/4W    |      |
|   | R 18 | NRSA02J-102X   | MG RESISTOR  |            |      |
|   | R 19 | NRSA02J-102X   | MG RESISTOR  |            |      |
|   | R 20 | NRSA02J-102X   | MG RESISTOR  |            |      |
|   | R 21 | NRSA02J-562X   | MG RESISTOR  |            |      |
|   | R 22 | NRSA02J-472X   | MG RESISTOR  |            |      |
|   | R 23 | NRSA02J-182X   | MG RESISTOR  |            |      |
|   | R 24 | NRSA02J-103X   | MG RESISTOR  |            |      |
|   | R 25 | NRSA02J-331X   | MG RESISTOR  |            |      |
|   | R 26 | NRSA02J-222X   | MG RESISTOR  |            |      |
|   | R 27 | NRSA02J-103X   | MG RESISTOR  |            |      |
|   | R 28 | NRSA02J-103X   | MG RESISTOR  |            |      |
|   | R 29 | NRSA02J-103X   | MG RESISTOR  |            |      |
|   | R 30 | NRSA02J-122X   | MG RESISTOR  |            |      |
|   | R 31 | NRSA02J-102X   | MG RESISTOR  |            |      |
|   | R 32 | NRSA02J-102X   | MG RESISTOR  |            |      |
|   | R 33 | NRSA02J-331X   | MG RESISTOR  |            |      |
|   | R 34 | NRSA02J-470X   | MG RESISTOR  |            |      |
|   | R 35 | NRSA02J-562X   | MG RESISTOR  |            |      |
|   | R 36 | NRSA02J-332X   | MG RESISTOR  |            |      |
|   | R 37 | NRSA02J-103X   | MG RESISTOR  |            |      |
|   | R 38 | NRSA02J-623X   | MG RESISTOR  |            |      |
|   | R 39 | NRSA02J-563X   | MG RESISTOR  |            |      |
|   | R 40 | NRSA02J-243X   | MG RESISTOR  |            |      |
|   | R 41 | NRSA02J-332X   | MG RESISTOR  |            |      |
|   | R 60 | NRSA02J-0R0X   | MG RESISTOR  |            |      |
|   | T 1  | QQR0793-001    | IFT          |            |      |
|   | TU 1 | QAU0161-001    | FRONT END    |            |      |
|   | X 1  | QAX0402-001    | CRYSTAL      |            |      |

## ■ Electrical parts list (VCD board)

Block No. 05

| △ | Item  | Parts number    | Parts name      | Remarks         | Area | △ | Item  | Parts number | Parts name  | Remarks  | Area |
|---|-------|-----------------|-----------------|-----------------|------|---|-------|--------------|-------------|----------|------|
|   | C 101 | NCF31CZ-104X    | C CAPACITOR     |                 |      |   | R 121 | NRSA63J-104X | MG RESISTOR |          |      |
|   | C 102 | NCF31CZ-104X    | C CAPACITOR     |                 |      |   | R 128 | NRSA63J-330X | MG RESISTOR |          |      |
|   | C 103 | NCF31CZ-104X    | C CAPACITOR     |                 |      |   | R 130 | NRSA63J-330X | MG RESISTOR |          |      |
|   | C 104 | QERF1CM-106Z    | E CAPACITOR     | 10MF 20% 16V    |      |   | R 132 | NRSA63J-271X | MG RESISTOR |          |      |
|   | C 105 | NCF31CZ-104X    | C CAPACITOR     |                 |      |   | R 133 | NRSA63J-750X | MG RESISTOR |          |      |
|   | C 106 | QERF1CM-106Z    | E CAPACITOR     | 10MF 20% 16V    |      |   | R 134 | NRSA63J-750X | MG RESISTOR |          |      |
|   | C 107 | NCF31CZ-104X    | C CAPACITOR     |                 |      |   | R 135 | NRSA63J-100X | MG RESISTOR |          |      |
|   | C 109 | NCF31CZ-104X    | C CAPACITOR     |                 |      |   | R 136 | NRSA63J-100X | MG RESISTOR |          |      |
|   | C 110 | NCF31CZ-104X    | C CAPACITOR     |                 |      |   | R 137 | NRSA63J-472X | MG RESISTOR |          |      |
|   | C 111 | NCS31HJ-471X    | C CAPACITOR     | CHANGE PART     |      |   | R 138 | NRSA63J-472X | MG RESISTOR |          |      |
|   | C 112 | NCS31HJ-471X    | C CAPACITOR     | CHANGE PART     |      |   | R 139 | NRSA63J-330X | MG RESISTOR |          |      |
|   | C 113 | NCS31HJ-270X    | C CAPACITOR     |                 |      |   | R 140 | NRSA63J-472X | MG RESISTOR |          |      |
|   | C 114 | NCB31HK-102X    | C CAPACITOR     |                 |      |   | R 141 | NRSA63J-103X | MG RESISTOR |          |      |
|   | C 115 | NCS31HJ-270X    | C CAPACITOR     |                 |      |   | R 145 | NRSA63J-221X | MG RESISTOR |          |      |
|   | C 116 | NCF31CZ-104X    | C CAPACITOR     |                 |      |   | R 146 | NRSA63J-221X | MG RESISTOR |          |      |
|   | C 117 | QERF0JM-476Z    | E CAPACITOR     | 47MF 20% 6.3V   |      |   | R 147 | NRSA63J-221X | MG RESISTOR |          |      |
|   | C 118 | NCF31CZ-104X    | C CAPACITOR     |                 |      |   | R 148 | NRSA63J-102X | MG RESISTOR |          |      |
|   | C 120 | NCF31CZ-104X    | C CAPACITOR     |                 |      |   | X 101 | QAX0700-001Z | CRYSTAL     | IKA TECH |      |
|   | C 121 | NCF31CZ-104X    | C CAPACITOR     |                 |      |   |       |              |             |          |      |
|   | C 122 | QERF1AM-107Z    | E CAPACITOR     | 100MF 20% 10V   |      |   |       |              |             |          |      |
|   | C 123 | QERF0JM-476Z    | E CAPACITOR     | 47MF 20% 6.3V   |      |   |       |              |             |          |      |
|   | C 124 | NCF31CZ-104X    | C CAPACITOR     |                 |      |   |       |              |             |          |      |
|   | C 125 | NCF31CZ-104X    | C CAPACITOR     |                 |      |   |       |              |             |          |      |
|   | C 126 | NCF31CZ-104X    | C CAPACITOR     |                 |      |   |       |              |             |          |      |
|   | C 127 | NCF31CZ-104X    | C CAPACITOR     |                 |      |   |       |              |             |          |      |
|   | C 128 | NCF31CZ-104X    | C CAPACITOR     |                 |      |   |       |              |             |          |      |
|   | C 129 | NCF31CZ-104X    | C CAPACITOR     |                 |      |   |       |              |             |          |      |
|   | C 130 | QERF1AM-107Z    | E CAPACITOR     | 100MF 20% 10V   |      |   |       |              |             |          |      |
|   | C 131 | NCF31CZ-104X    | C CAPACITOR     |                 |      |   |       |              |             |          |      |
|   | C 132 | QERF1AM-107Z    | E CAPACITOR     | 100MF 20% 10V   |      |   |       |              |             |          |      |
|   | C 133 | NCF31CZ-104X    | C CAPACITOR     |                 |      |   |       |              |             |          |      |
|   | C 134 | QERF1CM-106Z    | E CAPACITOR     | 10MF 20% 16V    |      |   |       |              |             |          |      |
|   | C 135 | QERF0JM-476Z    | E CAPACITOR     | 47MF 20% 6.3V   |      |   |       |              |             |          |      |
|   | C 136 | NCF31CZ-104X    | C CAPACITOR     |                 |      |   |       |              |             |          |      |
|   | C 137 | NCB31CK-103X    | C CAPACITOR     |                 |      |   |       |              |             |          |      |
|   | C 138 | QERF1AM-107Z    | E CAPACITOR     | 100MF 20% 10V   |      |   |       |              |             |          |      |
|   | CN101 | QGF1016F3-15    | 15FFC CONNECTOR |                 |      |   |       |              |             |          |      |
|   | CN102 | QGF1016F3-15    | 15FFC CONNECTOR |                 |      |   |       |              |             |          |      |
|   | IC101 | ES3880F         | IC              | INC TECHNOLOGY  |      |   |       |              |             |          |      |
|   | IC102 | AT27C020-70JCU1 | IC              | INC TECHNOLOGY  |      |   |       |              |             |          |      |
|   | IC103 | GLT44016-35J4-X | IC              | SAME PARTS      |      |   |       |              |             |          |      |
|   | IC104 | ES3883F         | IC              | INC TECHNOLOGY  |      |   |       |              |             |          |      |
|   | IC105 | RT9161/A-36CG-X | IC              | INC TECHNOLOGY  |      |   |       |              |             |          |      |
|   | K 101 | NQR0398-006X    | FERRITE BEADS   | AOBA            |      |   |       |              |             |          |      |
|   | K 102 | NQR0398-006X    | FERRITE BEADS   |                 |      |   |       |              |             |          |      |
|   | K 103 | NRSA02J-180X    | MG RESISTOR     |                 |      |   |       |              |             |          |      |
|   | K 104 | NRSA02J-102X    | MG RESISTOR     |                 |      |   |       |              |             |          |      |
|   | L 101 | NQL591K-3R3X    | P COIL          | NOT YET REGISTE |      |   |       |              |             |          |      |
|   | L 102 | NQL591K-3R3X    | P COIL          | NOT YET REGISTE |      |   |       |              |             |          |      |
|   | R 101 | NRSA63J-472X    | MG RESISTOR     |                 |      |   |       |              |             |          |      |
|   | R 102 | NRSA63J-472X    | MG RESISTOR     |                 |      |   |       |              |             |          |      |
|   | R 103 | NRSA63J-472X    | MG RESISTOR     |                 |      |   |       |              |             |          |      |
|   | R 104 | NRSA63J-472X    | MG RESISTOR     |                 |      |   |       |              |             |          |      |
|   | R 105 | NRSA63J-472X    | MG RESISTOR     |                 |      |   |       |              |             |          |      |
|   | R 106 | NRSA63J-472X    | MG RESISTOR     |                 |      |   |       |              |             |          |      |
|   | R 107 | NRSA63J-472X    | MG RESISTOR     |                 |      |   |       |              |             |          |      |
|   | R 108 | NRSA63J-472X    | MG RESISTOR     |                 |      |   |       |              |             |          |      |
|   | R 109 | NRSA63J-102X    | MG RESISTOR     |                 |      |   |       |              |             |          |      |
|   | R 111 | NRSA63J-472X    | MG RESISTOR     |                 |      |   |       |              |             |          |      |
|   | R 112 | NRSA63J-472X    | MG RESISTOR     |                 |      |   |       |              |             |          |      |
|   | R 113 | NRSA63J-472X    | MG RESISTOR     |                 |      |   |       |              |             |          |      |
|   | R 119 | NRSA63J-0R0X    | MG RESISTOR     |                 |      |   |       |              |             |          |      |
|   | R 120 | NRSA63J-750X    | MG RESISTOR     |                 |      |   |       |              |             |          |      |

■ Electrical parts list (Head amplifier board) Block No. 06

| △ | Item  | Parts number  | Parts name      | Remarks        | Area |
|---|-------|---------------|-----------------|----------------|------|
|   | C 101 | NCS21HJ-821X  | C CAPACITOR     |                |      |
|   | C 102 | NCS21HJ-221X  | C CAPACITOR     |                |      |
|   | C 103 | QEKJ0JM-227Z  | E CAPACITOR     | 220MF 20% 6.3V |      |
|   | C 104 | NCB21HK-333X  | C CAPACITOR     |                |      |
|   | C 105 | NCB21HK-222X  | C CAPACITOR     |                |      |
|   | C 106 | QEK41CM-106   | E CAPACITOR     | 10MF 20% 16V   |      |
|   | C 107 | NCS21HJ-561X  | C CAPACITOR     |                |      |
|   | C 108 | QEK41EM-475   | E CAPACITOR     | 4.7MF 20% 25V  |      |
|   | C 109 | QEK41EM-475   | E CAPACITOR     | 4.7MF 20% 25V  |      |
|   | C 110 | NCB21HK-682X  | C CAPACITOR     |                |      |
|   | C 111 | NCB21HK-152X  | C CAPACITOR     |                |      |
|   | C 113 | NCB21HK-393X  | C CAPACITOR     |                |      |
|   | C 121 | NCS21HJ-331X  | C CAPACITOR     |                |      |
|   | C 201 | NCS21HJ-821X  | C CAPACITOR     |                |      |
|   | C 202 | NCS21HJ-221X  | C CAPACITOR     |                |      |
|   | C 203 | QEKJ0JM-227Z  | E CAPACITOR     | 220MF 20% 6.3V |      |
|   | C 204 | NCB21HK-333X  | C CAPACITOR     |                |      |
|   | C 205 | NCB21HK-222X  | C CAPACITOR     |                |      |
|   | C 206 | QEK41CM-106   | E CAPACITOR     | 10MF 20% 16V   |      |
|   | C 207 | NCS21HJ-561X  | C CAPACITOR     |                |      |
|   | C 208 | QEK41EM-475   | E CAPACITOR     | 4.7MF 20% 25V  |      |
|   | C 209 | QEK41EM-475   | E CAPACITOR     | 4.7MF 20% 25V  |      |
|   | C 210 | NCB21HK-682X  | C CAPACITOR     |                |      |
|   | C 211 | NCB21HK-152X  | C CAPACITOR     |                |      |
|   | C 213 | NCB21HK-393X  | C CAPACITOR     |                |      |
|   | C 221 | NCS21HJ-331X  | C CAPACITOR     |                |      |
|   | C 301 | QEKJ1AM-107Z  | E CAPACITOR     | 100MF 20% 10V  |      |
|   | C 302 | NCB21HK-393X  | C CAPACITOR     |                |      |
|   | C 303 | QEKJ0JM-227Z  | E CAPACITOR     | 220MF 20% 6.3V |      |
|   | C 304 | QEKJ1CM-226Z  | E CAPACITOR     | 22MF 20% 16V   |      |
|   | C 305 | QEKJ1CM-226Z  | E CAPACITOR     | 22MF 20% 16V   |      |
|   | C 306 | QEK41CM-476   | E CAPACITOR     | 47MF 20% 16V   |      |
|   | C 307 | NCB21HK-103X  | C CAPACITOR     |                |      |
|   | C 308 | NCB21HK-152X  | C CAPACITOR     |                |      |
|   | C 310 | NCB21HK-223X  | C CAPACITOR     |                |      |
|   | C 313 | QEKJ1AM-107Z  | E CAPACITOR     | 100MF 20% 10V  |      |
|   | C 314 | QCZ0205-155Z  | ML C CAPACITOR  | 1.5MF          |      |
|   | C 316 | QFG32AJ-223Z  | PP CAPACITOR    | .022MF 5% 100V |      |
|   | C 319 | QFLM1HJ-472Z  | M CAPACITOR     | 4700PF 5% 50V  |      |
|   | C 331 | QEK41CM-476   | E CAPACITOR     | 47MF 20% 16V   |      |
|   | C 334 | QEK41EM-475   | E CAPACITOR     | 4.7MF 20% 25V  |      |
|   | C 371 | QEK41EM-475   | E CAPACITOR     | 4.7MF 20% 25V  |      |
|   | C 374 | QEKJ1AM-107Z  | E CAPACITOR     | 100MF 20% 10V  |      |
|   | C 376 | NCB21HK-103X  | C CAPACITOR     |                |      |
|   | CN 31 | QGF1201F3-06  | CONNECTOR       | PRI/HEAD       |      |
|   | CN 32 | QGB2011M1-10  | B TO B CONNECTO | PRI/MECHA      |      |
|   | CN 33 | QGF1205F1-09  | CONNECTOR       | PRI/MICON      |      |
|   | CN 34 | QGF1201F3-10  | CONNECTOR       | PRI/AMP        |      |
|   | D 375 | MA3051/M-X    | ZENER DIODE     |                |      |
|   | FW 31 | QUM024-06A2Z3 | PARA RIBON WIRE |                |      |
|   | IC 31 | BA3126N       | IC              | HEAD SW        |      |
|   | IC 32 | AN7317        | IC              | PB&REC         |      |
|   | IC 33 | BU4094BCF-X   | IC              |                |      |
|   | L 301 | QQR1118-001   | OSC COIL(BIAS)  |                |      |
|   | L 303 | QQL244K-100Z  | INDUCTOR        |                |      |
|   | Q 101 | DTC114TKA-X   | TRANSISTOR      | 70U/12U        |      |
|   | Q 103 | DTC114TKA-X   | TRANSISTOR      | TAR            |      |
|   | Q 201 | DTC114TKA-X   | TRANSISTOR      | 70U/12U        |      |
|   | Q 203 | DTC114TKA-X   | TRANSISTOR      | TAR            |      |
|   | Q 302 | 2SC2001/K-T   | TRANSISTOR      | OSC            |      |
|   | Q 305 | 2SC2001/LK-T  | TRANSISTOR      | SW             |      |
|   | Q 321 | DTC144EKA-X   | TRANSISTOR      | BUFFER         |      |
|   | Q 331 | DTC114TKA-X   | TRANSISTOR      |                |      |

| △ | Item  | Parts number   | Parts name      | Remarks        | Area |
|---|-------|----------------|-----------------|----------------|------|
|   | Q 371 | 2SA952/LK-T    | TRANSISTOR      | MOTER+B        |      |
|   | Q 372 | DTC124EKA-X    | TRANSISTOR      |                |      |
|   | Q 375 | 2SB562/C-T     | TRANSISTOR      | SOLENOID DRIVE |      |
|   | Q 376 | 2SC2412K/RS/-X | CHIP TRANSISTOR |                |      |
|   | R 101 | NRSA63J-220X   | MG RESISTOR     |                |      |
|   | R 102 | NRSA63J-182X   | MG RESISTOR     |                |      |
|   | R 103 | NRSA63J-242X   | MG RESISTOR     |                |      |
|   | R 104 | NRSA63J-122X   | MG RESISTOR     |                |      |
|   | R 105 | NRSA63J-104X   | MG RESISTOR     |                |      |
|   | R 106 | NRSA63J-332X   | MG RESISTOR     |                |      |
|   | R 107 | NRSA63J-123X   | MG RESISTOR     |                |      |
|   | R 108 | NRSA63J-562X   | MG RESISTOR     |                |      |
|   | R 109 | NRSA63J-102X   | MG RESISTOR     |                |      |
|   | R 110 | NRSA63J-272X   | MG RESISTOR     |                |      |
|   | R 111 | NRSA63J-363X   | MG RESISTOR     |                |      |
|   | R 112 | NRSA63J-222X   | MG RESISTOR     |                |      |
|   | R 116 | NRSA63J-102X   | MG RESISTOR     |                |      |
|   | R 121 | NRSA63J-153X   | MG RESISTOR     |                |      |
|   | R 122 | NRSA63J-102X   | MG RESISTOR     |                |      |
|   | R 201 | NRSA63J-220X   | MG RESISTOR     |                |      |
|   | R 202 | NRSA63J-182X   | MG RESISTOR     |                |      |
|   | R 203 | NRSA63J-242X   | MG RESISTOR     |                |      |
|   | R 204 | NRSA63J-122X   | MG RESISTOR     |                |      |
|   | R 205 | NRSA63J-104X   | MG RESISTOR     |                |      |
|   | R 206 | NRSA63J-332X   | MG RESISTOR     |                |      |
|   | R 207 | NRSA63J-123X   | MG RESISTOR     |                |      |
|   | R 208 | NRSA63J-562X   | MG RESISTOR     |                |      |
|   | R 209 | NRSA63J-102X   | MG RESISTOR     |                |      |
|   | R 210 | NRSA63J-272X   | MG RESISTOR     |                |      |
|   | R 211 | NRSA63J-363X   | MG RESISTOR     |                |      |
|   | R 212 | NRSA63J-222X   | MG RESISTOR     |                |      |
|   | R 216 | NRSA63J-102X   | MG RESISTOR     |                |      |
|   | R 221 | NRSA63J-153X   | MG RESISTOR     |                |      |
|   | R 222 | NRSA63J-102X   | MG RESISTOR     |                |      |
|   | R 301 | NRS181J-221X   | MG RESISTOR     |                |      |
|   | R 303 | NRSA63J-393X   | MG RESISTOR     |                |      |
|   | R 304 | NRS181J-101X   | MG RESISTOR     |                |      |
|   | R 305 | NRSA63J-222X   | MG RESISTOR     |                |      |
| △ | R 310 | QRJ146J-4R7X   | UNF C RESISTOR  | 4.7 5% 1/4W    |      |
|   | R 313 | NRSA63J-2R2X   | MG RESISTOR     |                |      |
|   | R 314 | NRSA63J-153X   | MG RESISTOR     |                |      |
|   | R 315 | NRSA63J-101X   | MG RESISTOR     |                |      |
|   | R 327 | NRSA63J-474X   | MG RESISTOR     |                |      |
|   | R 335 | NRSA63J-152X   | MG RESISTOR     |                |      |
|   | R 336 | NRSA63J-472X   | MG RESISTOR     |                |      |
|   | R 337 | NRSA63J-332X   | MG RESISTOR     |                |      |
|   | R 338 | NRSA63J-392X   | MG RESISTOR     |                |      |
|   | R 339 | NRSA63J-222X   | MG RESISTOR     |                |      |
|   | R 340 | NRS181J-391X   | MG RESISTOR     |                |      |
|   | R 341 | NRSA63J-123X   | MG RESISTOR     |                |      |
|   | R 342 | NRSA63J-203X   | MG RESISTOR     |                |      |
|   | R 343 | NRSA63J-183X   | MG RESISTOR     |                |      |
|   | R 345 | NRSA63J-222X   | MG RESISTOR     |                |      |
| △ | R 353 | QRZ9005-100X   | F RESISTOR      | 10 1/0W        |      |
|   | R 371 | NRSA63J-123X   | MG RESISTOR     |                |      |
|   | R 372 | NRSA63J-102X   | MG RESISTOR     |                |      |
|   | R 375 | NRSA02J-151X   | MG RESISTOR     | 1/8W           |      |
|   | R 376 | NRSA63J-472X   | MG RESISTOR     |                |      |
|   | VR 31 | QVP0008-203Z   | SEMI V RESISTOR | BIAS ADJ       |      |
|   | VR 37 | QVP0008-103Z   | SEMI.V.RESISTOR | TAPE SPEED ADJ |      |

■ Electrical parts list (Cassette switch board) Block No. 07

| △ | Item | Parts number  | Parts name      | Remarks | Area |
|---|------|---------------|-----------------|---------|------|
|   | CN 1 | QGB2011L1-10  | B TO B CONNECTO |         |      |
|   | D 1  | 1SR139-400-T2 | SI DIODE        |         |      |
|   | IC 1 | SG-105F3-BB,C | PHOTO SENSER    |         |      |
|   | P 1  | QNZ0104-001   | POST PIN        |         |      |
|   | SW 1 | QSW0832-001   | LEAF SWITCH     | R.REC   |      |
|   | SW 2 | QSW0832-001   | LEAF SWITCH     | TAPE    |      |
|   | SW 4 | QSW0832-001   | LEAF SWITCH     | 70U     |      |
|   | SW 5 | QSW0832-001   | LEAF SWITCH     | F.REC   |      |
|   | SW 6 | QSW0859-001   | DETECT SWITCH   |         |      |

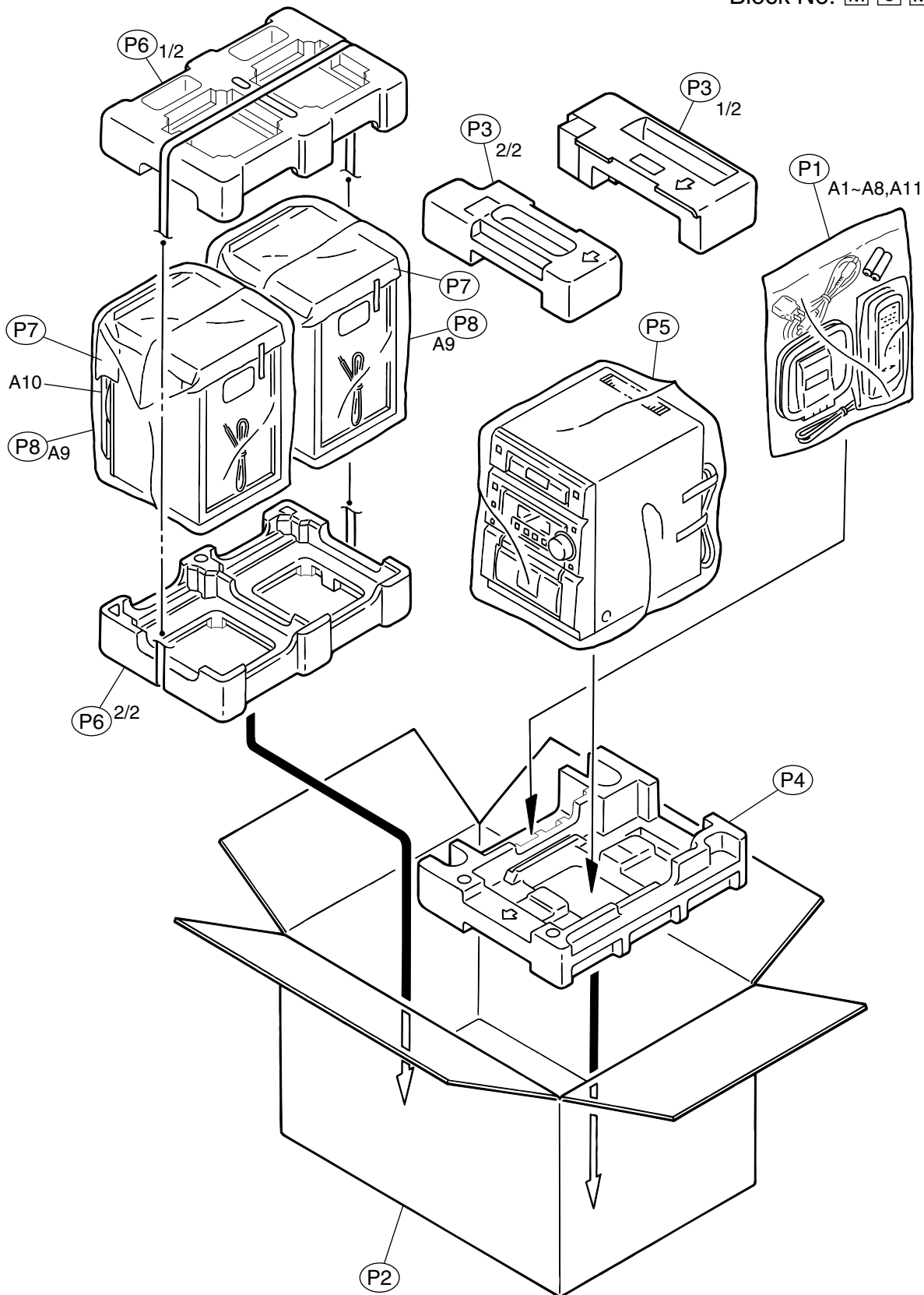
# Packing materials and accessories parts list

Block No. 

|   |   |   |   |
|---|---|---|---|
| M | 3 | M | M |
|---|---|---|---|

Block No. 

|   |   |   |   |
|---|---|---|---|
| M | 5 | M | M |
|---|---|---|---|



**Parts list (Packing)**

Block No. M3MM

| △ | Item | Parts number  | Parts name      | Q'ty | Description    | Area |
|---|------|---------------|-----------------|------|----------------|------|
|   | P 1  | QPC02503515P  | POLY BAG        | 1    |                |      |
|   | P 2  | GV20144-001A  | CARTON ASSY.    | 1    | UX-P58V MASTER |      |
|   | P 3  | GV10070-001A  | CUSHION UPPER   | 1    |                |      |
|   | P 4  | GV10075-001A  | CUSHION BOTTOM  | 1    |                |      |
|   | P 5  | QPC05006515P  | POLY BAG        | 1    |                |      |
|   | P 6  | 720-00UXP5-00 | CUSHION TOP&BOT | 1    | FOR SPEAKER    |      |
|   | P 7  | 715-250009-00 | MIRAMET SHEET   | 1    | FOR SPEAKER    |      |
|   | P 8  | 700-120062-10 | POLYBAG         | 1    | FOR SPEAKER    |      |

**Parts list (Accessories)**

Block No. M5MM

| △ | Item | Parts number  | Parts name      | Q'ty | Description    | Area  |
|---|------|---------------|-----------------|------|----------------|-------|
|   | A 1  | QAL0014-001   | AM LOOP ANT     | 1    |                |       |
|   | A 2  | EWP503-001C   | ANT.WIRE        | 1    |                |       |
|   | A 3  | GVT0069-003A  | INST.BOOK       | 1    | ENG CHI(PEKIN) |       |
|   |      | GVT0069-003A  | INST.BOOK       | 1    | THA            |       |
|   | A 4  | GV20162-001A  | MP3 SHEET       | 1    |                |       |
|   | A 5  | QAM0216-001   | SIGNAL CORD     | 1    |                |       |
| △ | A 6  | QAM0112-001   | AC PLUG ADAPTER | 1    |                | UN,US |
|   | A 7  | RM-SUXP58V    | REMOCON         | 1    |                |       |
|   | A 8  | -----         | BATTERY         | 2    |                |       |
|   | A 9  | UXP58K-SPBOX  | SPEAKER BOX     | 2    |                |       |
|   | A 10 | 201-00UXP5-10 | SARAN BOARD     | 1    |                |       |
|   | A 11 | GV30024-033A  | UB SHEET        | 1    |                | UB    |